



目 录 Contents

1、3D 系列电动往复泵说明	4
3D Series Motor-Driven Reciprocating Pumps	
2、3D1 型电动往复泵性能参数	5
Performance Parameter of Model 3D1 Motor-Driven Reciprocating Pump	
3、3D1 型电动往复泵外形及安装尺寸图	5
Outline & Installing Dimensions Drawing of Model 3D1 Motor-Driven Reciprocating Pump	
4、3D1 型电动往复泵安装尺寸	5
Installation Dimensions of Model 3D1 Motor-Driven Reciprocating Pump	
5、3D2A 型电动往复泵性能参数	6
Performance Parameter of Model 3D2A Motor-Driven Reciprocating Pump	
6、3D2A 型电动往复泵外形及安装尺寸图	7
Outline & Installing Dimensions Drawing of Model 3D2A Motor-Driven Reciprocating Pump	
7、3D2A 型电动往复泵安装尺寸	8
Installing Dimensions of Model 3D2A Motor-Driven Reciprocating Pump	
8、3D3 型电动往复泵性能参数	9
Performance Parameter of Model 3D3 Motor-Driven Reciprocating Pump	
9、3D3 型电动往复泵外形及安装尺寸图	10
Outline & Installing Dimensions Drawing of Model 3D3 Motor-Driven Reciprocating Pump	
10、3D3 型电动往复泵安装尺寸	11
Installing Dimensions of Model 3D3 Motor-Driven Reciprocating Pump	
11、3D3B 型电动往复泵性能参数	12
Performance Parameter of Model 3D3 B Motor-Driven Reciprocating Pump	
12、3D3B 型电动往复泵外形及安装尺寸图	13
Outline & Installing Dimensions Drawing of Model 3D3B Motor-Driven Reciprocating Pump	
13、3D4 型电动往复泵性能参数	14
Performance Parameter of Model 3D4 Motor-Driven Reciprocating Pump	
14、3D4 型电动往复泵外形及安装尺寸图	15
Outline & Installing Dimensions Drawing of Model 3D4 Motor-Driven Reciprocating Pump	
15、3D5 型电动往复泵性能参数	16
Performance Parameter of Model 3D5 Motor-Driven Reciprocating Pump	

16、3D5型电动往复泵外形及安装尺寸图	17
Outline & Installing Dimensions Drawing of Model 3D5 Motor-Driven Reciprocating Pump	
17、3D5型电动往复泵安装尺寸	17
Installing Dimensions of Model 3D5 Motor-Driven Reciprocating Pump	
18、3D6型电动往复泵性能参数	18
Performance Parameter of Model 3D6 Motor-Driven Reciprocating Pump	
19、3D6型电动往复泵外形及安装尺寸图	19
Outline & Installing Dimensions Drawing of Model 3D6 Motor-Driven Reciprocating Pump	
20、3D6.5型电动往复泵性能参数	20
Performance Parameter of Model 3D6.5 Motor-Driven Reciprocating Pump	
21、3D6.5型电动往复泵外形及安装尺寸图	21
Outline & Installing Dimensions Drawing of Model 3D6.5 Motor-Driven Reciprocating Pump	
22、3D7型电动往复泵性能参数	22
Performance Parameter of Model 3D7 Motor-Driven Reciprocating Pump	
23、3D7型电动往复泵外形及安装尺寸图	23
Outline & Installing Dimensions Drawing of Model 3D7 Motor-Driven Reciprocating Pump	
24、3D8型电动往复泵性能参数	24
Performance Parameter of Model 3D8 Motor-Driven Reciprocating Pump	
25、3D8型电动往复泵外形及安装尺寸图	25
Outline & Installing Dimensions Drawing of Model 3D8 Motor-Driven Reciprocating Pump	
26、3D9型电动往复泵性能参数	26
Performance Parameter of Model 3D9 Motor-Driven Reciprocating Pump	



3D 系列电动往复泵

3D Series Motor-driven Reciprocating Pumps

用 途

3D型卧式三柱塞电动往复泵,主要用于石油、化工、轻工、机械工业输送腐蚀性液体和高温液体及大、中型钢厂的除磷系统以及中、小型水压机和模压机作动力泵、油田注水注酸泵等。亦可用于合成氨化肥厂输送铜氨液、铸造厂作水力清砂及船厂除铁锈用。输送介质温度一般低于60℃。高温产品输送液体的温度在150℃范围之内。

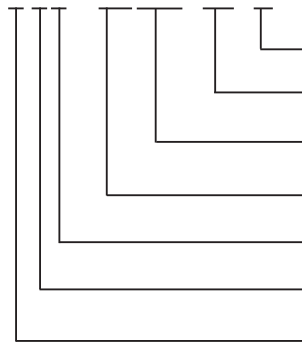
Use

Model 3D horizontal motor-driven triplex plunger reciprocating pump is mainly used not only for petroleum, chemical industry, light industry and machinery industry for handling corrosive liquid and hi-temperature liquid, but also for synthetic ammonia chemical fertilizer factory for handling cuprammonia. It can be used as a power pump of middle or small sized hydraulic press and moulding press, a force lift pump for oil field, hydraulic cleaning pump for foundry and a descaling pump for shipbuilding works. The hi-temperature pump handles liquid less than 150°C.

型 号 意 义

The explanation to the model is as follows

3 D₆ - 16/25.0 - YQ - II



- 泵头过流主要材料代号(见表1)
Material mark of pump head(table1)
- 特殊功能代号(见表2)
Special function code(table2)
- 额定排出压力(MPa)
Rated discharge pressure, in MPa
- 额定流量(m³/h)
Rated capacity, in m³/h
- 机座代号
Transmission case number
- 电动往复泵
Motor-driven reciprocating pump
- 柱塞数
The number of plunger

泵头过流主要材料 Code of Main Materials for Wetted Parts

表Table1

材料代号 Code	I	IA	II	III	IV
材料 Grade	碳钢 Carbon	2Cr13	1Cr18Ni9Ti	1Cr18Ni12Mo2Ti	316L

steel

表Table2

特殊功能代号 Code of Special Function

字母代号 Code	R1	RN	GN	XF	YQ	TP
代号意义 Appl.	60°C ≤ T ≤ 150°C		高粘度 High viscosity	悬浮液 Suspension	液化气 LNG	调频变速 Frequency control
	夹套保温型 With insulating jacket	耐温型(无夹套) thermodurable structure (without jacket)				

结 构

Construct ion

本系列泵按功率大小分为12个机座。主要由泵体和机座等部件组成,泵和电机通过联轴器组装在一个公共底板上。

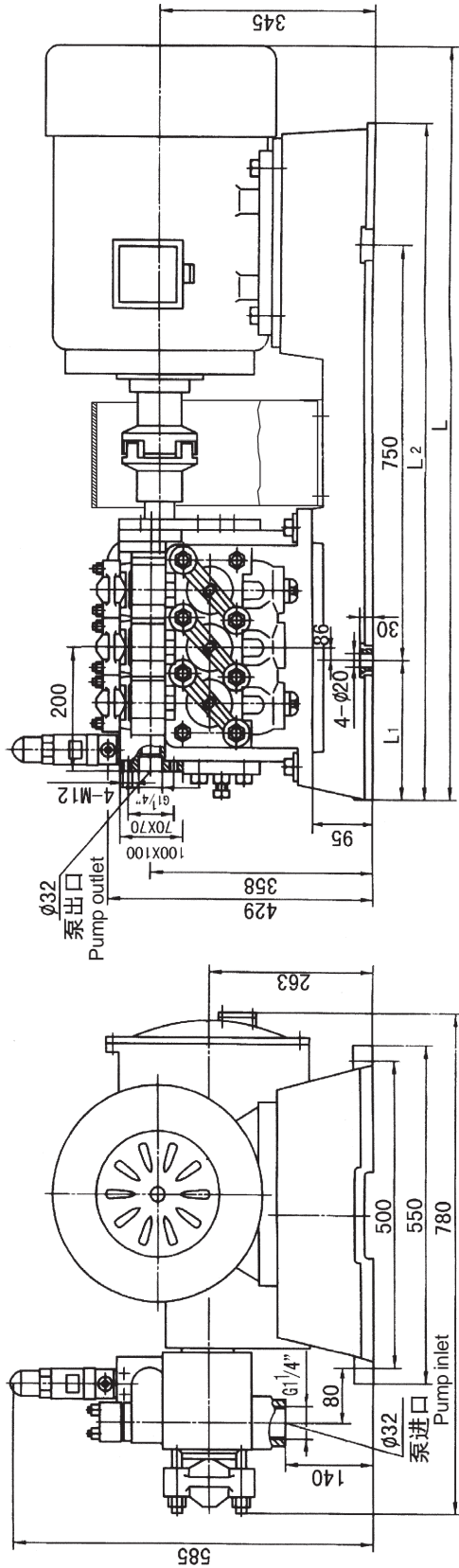
This series pumps have 12 kinds of transmission cases with different power. The pump is mainly made up of the pump body and the transmission case. The pump and motor are mounted on a common base. There are three sets of suction and discharge valves and stuffing boxes in the pump. The transmission case consists of main shaft, crank, connecting rod and crosshead. The motor powers the main shaft via the coupling, and the helical gear which is mounted on the main shaft drives the crankshaft, the crankshaft converts the rotating motion of the driving shaft into the reciprocating motion of the connecting rod, the crosshead and the plunger to realize the suction and discharge of liquid by means of the suction and discharge valves.

泵体内有三组吸、排阀及填料箱。机座内装有主轴、曲轴、连杆和十字头等运动部件。电动机经联轴器转动主轴,通过主轴上的斜齿轮带动曲轴旋转,或经三角胶带转动大皮带轮,带动曲轴转动,曲轴回转带动连杆、十字头、柱塞作往复运行。柱塞用填料密封。在吸、排阀的配合下,达到吸入和排出液体的目的。



3D1 型电动往复泵外形及安装尺寸图

Outline & Installing Dimensions Drawing of Model 3D1 Motor-Driven Reciprocating Pump



3D1 型电动往复泵性能参数

Performance Parameter of Model 3D1 Motor-Driven Reciprocating Pump

进口压力: 0.01~1Mpa

型号 Model	额定压力 Dis-charge Pressure Mpa	额定流量 Capacity m ³ /h	柱塞直径 Plunger Diameter mm	泵速 Speed min ⁻¹	电动机 Motor		进口直径 Inlet Diameter mm	出口直径 Outlet Diameter mm	重量 Weight kg
					功率 Power kW	转速 Speed r/min			
3D ₁ -5/4.0	4.0				Y160L-8B ₃	7.5			
3D ₁ -5/2.5	2.5	5	65	210	Y160M2-8B ₃	5.5	G1 1/4"	φ 42 X 5	580
3D ₁ -5/1.3	1.3				Y160M1-8B ₃	4			
3D ₁ -5/0.6	0.6				Y132M-8B ₃	3			

3D1 型电动往复泵安装尺寸

Installation Dimensions of Model 3D1 Motor-Driven Reciprocating Pump

型号 Model	L ₁	L ₂	L
3D ₁ -5/4.0			1203
3D ₁ -5/2.5	157.5	1065	1158
3D ₁ -5/1.3			
3D ₁ -5/0.6	103	956	1073



3D2A 型电动往复泵性能参数

Performance Parameter of Model 3D2A Motor-Driven Reciprocating Pump

进口压力: 0.01~1Mpa

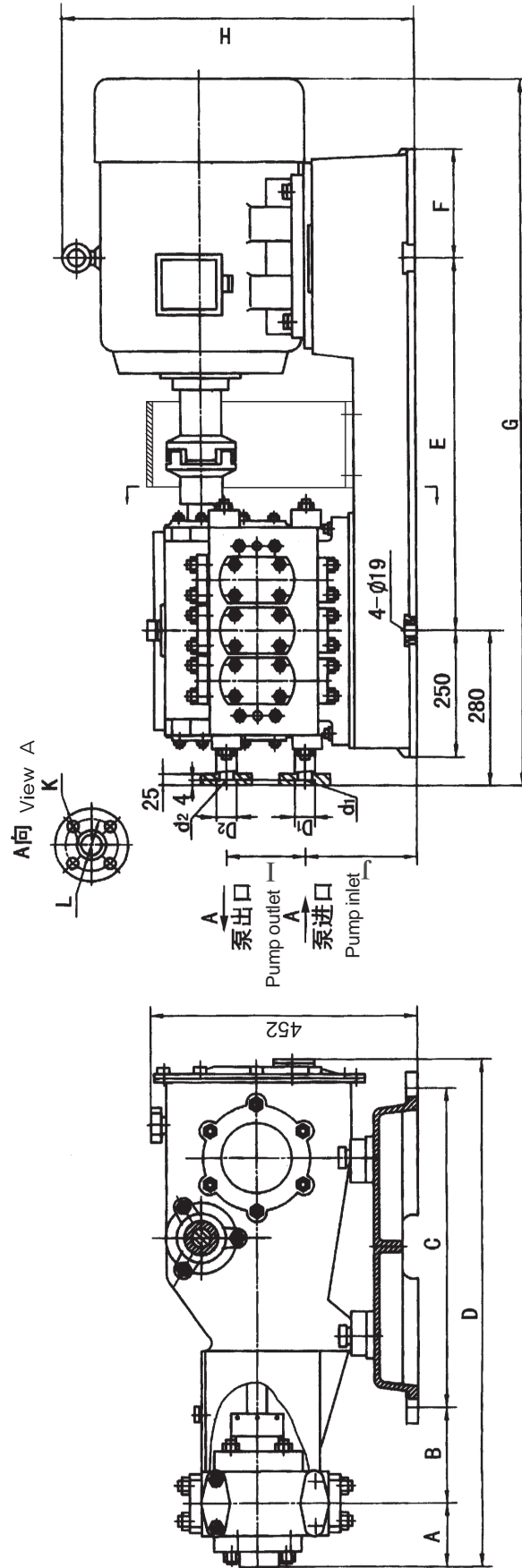
型号 Model	排出压力 Discharge Pressure MPa	额定流量 Capacity m ³ /h	柱塞直径 Plunger Diameter mm	泵速 Speed min ⁻¹	电动机 Motor			进口直径 Inlet Diameter mm	出口直径 × 壁厚 Outlet Diameter mm	重量 Weight kg
					型号 Type	功率 Power kW	转速 Speed r/min			
3D ₂ A-0.5/50.0	50	0.5	16	239	Y180L-8B ₃	11	730	φ 30 × 5	φ 35 × 10	860
3D ₂ A-0.5/32.0	32			235	Y160L-8B ₃	7.5				
3D ₂ A-0.5/25.0	25				Y160M ₂ -8B ₃	5.5				
3D ₂ A-1/16.0	16			Y160M ₁ -8B ₃	4					
3D ₂ A-1/32.0	32	1	22	239	Y200L-8B ₃	15	730	φ 35 × 5	φ 40 × 7.5	950
3D ₂ A-1/25.0	25				Y180L-8B ₃	11				
3D ₂ A-1/16.0	16			235	Y160L-8B ₃	7.5				
3D ₂ A-1/12.5	12.5				Y160M ₂ -8B ₃	5.5				
3D ₂ A-1.25/25.0	25	1.25	25	239	Y200L-8B ₃	15	730	φ 35 × 5	φ 40 × 7.5	950
3D ₂ A-1.25/20.0	20				Y180L-8B ₃	11				
3D ₂ A-1.25/13.0	13			235	Y160L-8B ₃	7.5				
3D ₂ A-1.25/10.0	10				Y160M ₂ -8B ₃	5.5				
3D ₂ A-1.6/20.0	20	1.6	28	239	Y200L-8B ₃	15	730	φ 35 × 5	φ 40 × 7.5	950
3D ₂ A-1.6/16.0	16				Y180L-8B ₃	11				
3D ₂ A-1.6/10.0	10			235	Y160L-8B ₃	7.5				
3D ₂ A-1.6/8.0	8				Y160M ₂ -8B ₃	5.5				
3D ₂ A-2/16.0	16	2	32	239	Y200L-8B ₃	15	730	φ 35 × 5	φ 40 × 7.5	950
3D ₂ A-2/12.5	12.5				Y180L-8B ₃	11				
3D ₂ A-2/8.0	8			235	Y160L-8B ₃	7.5				
3D ₂ A-2/6.3	6.3				Y160M ₂ -8B ₃	5.5				
3D ₂ A-2.5/13.0	13	2.5	35	239	Y200L-8B ₃	15	730	φ 35 × 5	φ 40 × 7.5	950
3D ₂ A-2.5/10.0	10				Y180L-8B ₃	11				
3D ₂ A-2.5/6.3	6.3			235	Y160L-8B ₃	7.5				
3D ₂ A-2.5/4.0	4				Y160M ₂ -8B ₃	5.5				
3D ₂ A-3.2/10.0	10	3.2	40	239	Y200L-8B ₃	15	730	φ 35 × 5	φ 40 × 7.5	950
3D ₂ A-3.2/8.0	8				Y180L-8B ₃	11				
3D ₂ A-3.2/6.0	6			235	Y160L-8B ₃	7.5				
3D ₂ A-3.2/4.0	4				Y160M ₂ -8B ₃	5.5				
3D ₂ A-4/8.5	8.5	4	43	239	Y200L-8B ₃	15	730	φ 35 × 5	φ 40 × 7.5	950
3D ₂ A-4/6.3	6.3				Y180L-8B ₃	11				
3D ₂ A-4/4.5	4.5			235	Y160L-8B ₃	7.5				
3D ₂ A-4/3.2	3.2				Y160M ₂ -8B ₃	5.5				
3D ₂ A-5/7.0	7	5	48	239	Y200L-8B ₃	15	730	φ 35 × 5	φ 40 × 7.5	950
3D ₂ A-5/5.0	5				Y180L-8B ₃	11				
3D ₂ A-5/3.5	3.5			235	Y160L-8B ₃	7.5				
3D ₂ A-5/2.5	2.5				Y160M ₂ -8B ₃	5.5				
3D ₂ A-6.7/7.0	7	6.7	48	317	Y200L1-6B ₃	18.5	970	φ 35 × 5	φ 40 × 7.5	950
3D ₂ A-6.7/5.5	5.5				Y180L-6B ₃	15				
3D ₂ A-6.7/4	3.5			235	Y160L-6B ₃	11				
3D ₂ A-6.7/2.5	2.5				Y160M-6B ₃	7.5				

注: 材料代号见表 1, 特殊功能型号见表 2, 若需选取其它未列参数请与设计处联系。



3D2A 型电动往复泵外形及安装尺寸图

Outline & Installing Dimensions Drawing of Model 3DzA Motor-Driven Reciprocating Pump





3D2A 型电动往复泵安装尺寸

Installing Dimensions of Model 3D2A Motor-Driven Reciprocating Pump

型号 Model	A	B	C	D	E	F	G	H	d ₁ /d ₂	I/J	K	L	D ₂	D ₁
3D ₂ A-0.5/50.0		281	438		670	202	1310	595						
3D ₂ A-0.5/32.0	110	286	424	833	644	186	1244	570	20/15	147/176	23	75	35	40
3D ₂ A-0.5/25.0							1179							
3D ₂ A-0.5/16.0														
3D ₂ A-1/32.0							695							
3D ₂ A-1/25.0		281	438		670	202	1310	595						
3D ₂ A-1/16.0							1224							
3D ₂ A-1/12.5		286	424		644	186	1179	570						
3D ₂ A-1/10.0														
3D ₂ A-1.25/25.0		263	474		695	217	1375	620						
3D ₂ A-1.25/20.0		279	438				1290	595						
3D ₂ A-1.25/12.5							1224							
3D ₂ A-1.25/10.0		286	424		644	186	1179	570						
3D ₂ A-1.25/8.0														
3D ₂ A-1.6/20.0		261	474		695	217	1355	620						
3D ₂ A-1.6/16.0		279	438		670	202	1290	595						
3D ₂ A-1.6/10.0	98	286	424	818	644	186	1224	570	25/15	147/176	19	80	40	50
3D ₂ A-1.6/8.0							1179							
3D ₂ A-1.6/5.0														
3D ₂ A-2/16.0							261							
3D ₂ A-2/12.5		279	438		670	202	1290	595						
3D ₂ A-2/8.0							1224							
3D ₂ A-2/6.3		286	424		644	186	1179	570						
3D ₂ A-2/4.0														
3D ₂ A-2.5/12.5		261	474		695	217	1355	620						
3D ₂ A-2.5/10.0		279	438		670	202	1290	595						
3D ₂ A-2.5/6.3							1224							
3D ₂ A-2.5/4.0		286	424		644	186	1179	570						
3D ₂ A-2.5/3.2														
3D ₂ A-3.2/10.0													45	55
3D ₂ A-4/8.0		261	474		695	217	1355	620	35/25	177/171	18.5		40	45
3D ₂ A-5/2.0-6.3														



3D₃ 型电动往复泵性能参数

Performance Parameter of Model 3D₃ Motor-Driven Reciprocating Pump

进口压力: 0.01~1Mpa

型号 Model	额定压力 Discharge Pressure MPa	额定流量 Capacity m ³ /h	柱塞直径 Plunger Diameter mm	泵速 Speed min ⁻¹	电动机 Motor			进口直径 × 壁厚 Inlet Diameter	出口直径 × 壁厚 Outlet Diameter	重量 Weight kg		
					型号 Type	功率 Power kW	转速 Speed r/min					
3D ₃ -1/63.0	63	1		225	Y250M-8B ₃	30	730					
3D ₃ -1/50.0	50				Y225M-8B ₃	22						
3D ₃ -1/40.0	40				Y225S-8B ₃	18.5						
3D ₃ -1.25/50.0	50	1.25	2.5	300	Y225M-6B ₃	30	970					
3D ₃ -1.25/40.0	40				Y200L2-6B ₃	22						
3D ₃ -1.25/32.0	32				Y200L1-6B ₃	18.5						
3D ₃ -1.6/40.0	40	1.6		365	Y250M-8B ₃	30	730	φ 47 × 8.5	φ 47 × 13.5	1080		
3D ₃ -1.6/31.0	31				Y225M-8B ₃	22						
3D ₃ -1.6/25.0	25				Y225S-8B ₃	18.5						
3D ₃ -2/32.0	32	2		225	Y250M-8B ₃	30	970					
3D ₃ -2/25.0	25				Y225M-8B ₃	22						
3D ₃ -2/20.0	20				Y225S-8B ₃	18.5						
3D ₃ -2.8/26.0	26	2.8	3.5	300	Y225M-6B ₃	30	970					
3D ₃ -2.8/19.0	19				Y200L2-6B ₃	22						
3D ₃ -2.8/16.0	16				Y200L1-6B ₃	18.5						
3D ₃ -3.4/21.0	21	3.4		365	Y250M-8B ₃	30	730					
3D ₃ -3.4/15.0	15				Y225M-8B ₃	22						
3D ₃ -3.4/13.0	13				Y225S-8B ₃	18.5						
3D ₃ -3/22.0	22	3		225	Y250M-8B ₃	30	970					
3D ₃ -3/18.0	18				Y225M-8B ₃	22						
3D ₃ -3/15.0	15				Y225S-8B ₃	18.5						
3D ₃ -4/18.0	18	4	42	300	Y225M-6B ₃	30	970	φ 50 × 7.5	φ 50 × 12.5			
3D ₃ -4/13.0	13				Y200L2-6B ₃	22						
3D ₃ -4/11.0	11				Y200L1-6B ₃	18.5						
3D ₃ -5/15.0	15	5		365	Y250M-8B ₃	30	730					
3D ₃ -5/11.0	11				Y225M-8B ₃	22						
3D ₃ -5/9.0	9				Y225S-8B ₃	18.5						
3D ₃ -6/10.0	10	6		225	Y250M-8B ₃	30	970			1160		
3D ₃ -6/8.0	8				Y225M-8B ₃	22						
3D ₃ -6/7.0	7				Y225S-8B ₃	18.5						
3D ₃ -8/9.0	9	8	60	300	Y225M-6B ₃	30	970	φ 65 × 7.5	φ 65 × 15			
3D ₃ -8/6.3	6.3				Y200L2-6B ₃	22						
3D ₃ -8/5.0	5				Y200L1-6B ₃	18.5						
3D ₃ -10/7.0	7	10		365	Y250M-8B ₃	30	730					
3D ₃ -10/5.0	5				Y225M-8B ₃	22						
3D ₃ -10/4.0	4				Y225S-8B ₃	18.5						
* 3D ₃ -12/5.0	5	12	65	225	Y250M-8B ₃	30	730	φ 80 × 7.5	φ 65 × 7.5	1280		
* 3D ₃ -16/4.0	4	16			300						Y225M-6B ₃	22
* 3D ₃ -22/3.2	3.2	22										
* 3D ₃ -27/2.5	2.5	27	75	365	Y225M-8B ₃	22	730					

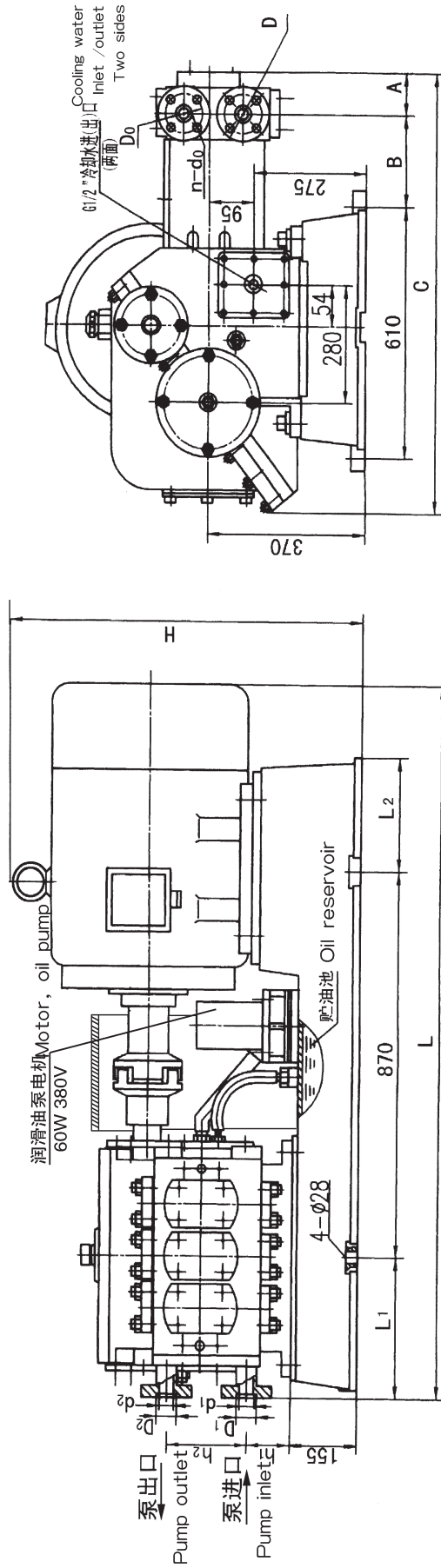
注: 材料代号见表 1, 特殊功能型号见表 2, 若需选取其它未列参数请与设计处联系。

带“*”的双作用活塞泵。



3D3 型电动往复泵外形及安装尺寸图

Outline & Installing Dimensions Drawing of Model 3D3 Motor-Driven Reciprocating Pump



3D₃ 型电动往复泵安装尺寸

Installing Dimensions of Model 3D₃ Motor-Driven Reciprocating Pump

型号 Model	A	B	C	d ₁	d ₂	h ₁	h ₂	L	L ₁	L ₂	H	D ₀	D ₁	D ₂	n-d ₀	D
3D ₃ -1/63.0								1611	265	363.5	780					
3D ₃ -1/50.0								1579								
3D ₃ -1/40.0								1554	238	318.5	760					
3D ₃ -1.25/50.0								1579								
3D ₃ -1.25/40.0	112	200		25	15	118	170	1509	235	263	730		50	40		
3D ₃ -1.25/32.0								1664	265	363.5	780					
3D ₃ -1.6/40.0								1579								
3D ₃ -1.6/32.0								1554	238	318.5	760					
3D ₃ -1.6/25.0								1663	250	363.5	835					
3D ₃ -2/32.0								1578								
3D ₃ -2/25.0								1553	232	318.5	815					
3D ₃ -2/20.0			1040	30	20	115	174	1578				85	50	40		120
3D ₃ -2.5/25.0								1508	230	263	785				4-φ19	
3D ₃ -2.5/20.0								1508	230	263	785					
3D ₃ -2.5/16.0								1663	250	363.5	835					
3D ₃ -3.2/20.0								1576								
3D ₃ -3.2/16.0	110	202						1553	232	318.5	815					
3D ₃ -3.2/12.5								1576								
3D ₃ -4/16.0								1508	230	263	785		50	50		
3D ₃ -4/12.5				35	25	112	185	1663	250	363.5	835					
3D ₃ -4/10.0								1578								
3D ₃ -5/12.5								1553	232	318.5	815					
3D ₃ -5/10.0								1578								
3D ₃ -5/8.0								1553	232	318.5	815					
3D ₃ -6/10.0								1668	250	368.5	835					
3D ₃ -6/8.0								1583								
3D ₃ -6/6.3								1558	232	323.5	815					
3D ₃ -8/8.0	111	208	1047	50	35	92.5	213	1583				110	70	60		145
3D ₃ -8/6.3								1513	230	268	785					
3D ₃ -8/4.0								1583	250		835					
3D ₃ -12/5.0								1498	232	283.5	815	120 (吸 IN)				155 (吸 IN)
3D ₃ -16/4.0	190	282	1200	65	50	65	255	1583	250			105 (排 OUT)	90	75	6-M16	140 (排 OUT)
3D ₃ -20/3.2								1583	250							
3D ₃ -25/2.5								1583	250							



3D₃B 型电动往复泵性能参数

Performance Parameter of Model 3D₃B Motor-Driven Reciprocating Pump

进口压力: 0.01~1Mpa

型号 Model	排出压力 Discharge Pressure MPa	额定流量 Capacity m ³ /h	柱塞直径 Plunger Diameter mm	泵速 Speed min ⁻¹	电动机 Motor		进口直径 × 壁厚 Inlet Diameter mm	出口直径 × 壁厚 Outlet Diameter mm	重量 Weight kg
					型号 Type	功率 Power kW			
3D ₃ B-1/63	63	1	21	225	Y250M-8B ₃	30	φ 35 × 5	φ 40 × 12.5	
3D ₃ B-1/50	50				Y225M-8B ₃	22			
3D ₃ B-1/40	40				Y225S-8B ₃	18.5			
3D ₃ B-1.25/50	50	1.25	21	280	Y250M-8B ₃	30	φ 35 × 5	φ 40 × 12.5	
3D ₃ B-1.25/40	40				Y225M-8B ₃	22			
3D ₃ B-1.25/32	32				Y225S-8B ₃	18.5			
3D ₃ B-1.6/40	40	1.6	21	365	Y250M-8B ₃	30	φ 35 × 5	φ 40 × 12.5	
3D ₃ B-1.6/32	32				Y225M-8B ₃	22			
3D ₃ B-1.6/25	25				Y225S-8B ₃	18.5			
3D ₃ B-2/32	32	2	30	225	Y250M-8B ₃	30	φ 60 × 5	φ 50 × 9	1000~1200
3D ₃ B-2/25	25				Y225M-8B ₃	22			
3D ₃ B-2/20	20				Y225S-8B ₃	18.5			
3D ₃ B-2.5/25	25	2.5	30	280	Y250M-8B ₃	30	φ 60 × 5	φ 50 × 9	1000~1200
3D ₃ B-2.5/20	20				Y225M-8B ₃	22			
3D ₃ B-2.5/16	16				Y225S-8B ₃	18.5			
3D ₃ B-3.2/20	20	3.2	42	365	Y250M-8B ₃	30	φ 89 × 3.5	φ 57 × 6	
3D ₃ B-3.2/16	16				Y225M-8B ₃	22			
3D ₃ B-3.2/12.5	12.5				Y225S-8B ₃	18.5			
3D ₃ B-4/16	16	4	42	225	Y250M-8B ₃	30	φ 89 × 3.5	φ 57 × 6	
3D ₃ B-4/12.5	12.5				Y225M-8B ₃	22			
3D ₃ B-4/10	10.0				Y225S-8B ₃	18.5			
3D ₃ B-5/12.5	12.5	5	60	280	Y250M-8B ₃	30	φ 89 × 3.5	φ 57 × 6	
3D ₃ B-5/10	10				Y225M-8B ₃	22			
3D ₃ B-5/8	8				Y225S-8B ₃	18.5			
3D ₃ B-6.3/10	10	6.3	60	280	Y250M-8B ₃	30	φ 89 × 3.5	φ 57 × 6	
3D ₃ B-6.3/8	8				Y225M-8B ₃	22			
3D ₃ B-6.3/6.3	6.3				Y225S-8B ₃	18.5			
3D ₃ B-8/8	8	8	65	225	Y250M-8B ₃	30	φ 80 × 7.5	φ 65 × 7.5	
3D ₃ B-8/6.3	6.3				Y225M-8B ₃	22			
3D ₃ B-8/4	4				Y225S-8B ₃	18.5			
3D ₃ B-10/6.3	6.3	10	65	280	Y250M-8B ₃	30	φ 80 × 7.5	φ 65 × 7.5	
3D ₃ B-10/5	5				Y225M-8B ₃	22			
3D ₃ B-10/4	4				Y225S-8B ₃	18.5			
3D ₃ B-12.5/5	5	12.5	65	365	Y250M-8B ₃	30	φ 80 × 7.5	φ 65 × 7.5	
3D ₃ B-12.5/4	4				Y225M-8B ₃	22			
3D ₃ B-12.5/3.2	3.2				Y225S-8B ₃	18.5			
* 3D ₃ B-16/4	4	16	65	225	Y250M-8B ₃	30	φ 80 × 7.5	φ 65 × 7.5	
* 3D ₃ B-16/3.2	3.2				Y225M-8B ₃	22			
* 3D ₃ B-16/2.5	2.5				Y225S-8B ₃	18.5			
* 3D ₃ B-20/3.2	3.2	20	65	280	Y250M-8B ₃	30	φ 80 × 7.5	φ 65 × 7.5	
* 3D ₃ B-20/2.5	2.5				Y225M-8B ₃	22			
* 3D ₃ B-20/2.0	2.0				Y225S-8B ₃	18.5			
* 3D ₃ B-25/2.5	2.5	25	65	365	Y250M-8B ₃	30	φ 80 × 7.5	φ 65 × 7.5	
* 3D ₃ B-25/2.0	2.0				Y225M-8B ₃	22			
* 3D ₃ B-25/1.6	1.6				Y225S-8B ₃	18.5			

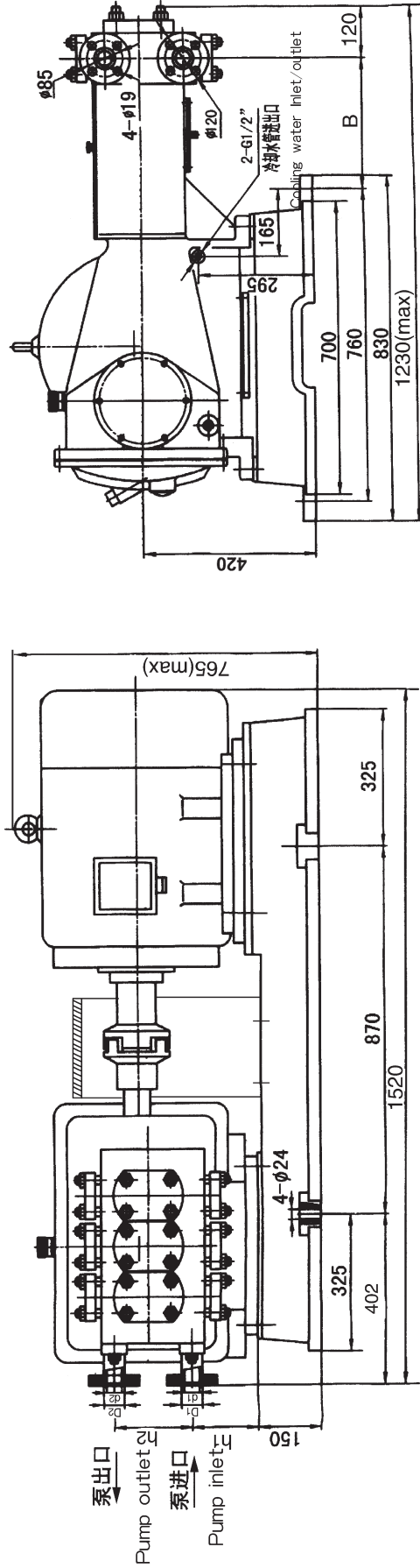
注: 1. 材料代号见表 1, 特殊功能型号见表 2, 若需选取其它未列参数请与设计处联系。

2. 电动机: V = 380V、n = 730min⁻¹。带“*”的为双作用活塞泵。



3D₃B 型电动往复泵外形及安装尺寸图

Outline & Installing Dimensions Drawing of Model 3D₃B Motor-Driven Reciprocating Pump



泵型号 Pump model	d1	d2	D1	D2	h1	h2	B
3D ₃ B-1/32~63	25	15	35	40	175	181	325
3D ₃ B-1.25/25~50	30	20	50	42	170	174	305
3D ₃ B-1.6/20~40	35	25	50	50	167	185	305
3D ₃ B-2/16~32	50	32	60	50	160	192	311
3D ₃ B-2.5/12.5~25	80	35	70	60	147	213	313
3D ₃ B-3.2/10~20		50	96	68	105	285	
3D ₃ B-4/8~16							
3D ₃ B-5/6.3~12.5							
3D ₃ B-6.3/5~10							
3D ₃ B-8/4~8							
3D ₃ B-10/3.2~6.3							
3D ₃ B-12.5/2.5~5							



3D4 型电动往复泵性能参数

Performance Parameter of Model 3D4 Motor-Driven Reciprocating Pump

进口压力: 0.01~1Mpa

型号 Model	排出压力 Discharge Pressure MPa	流量 Capacity m ³ /h	柱塞直径 Plunger Diameter mm	泵速 Speed min ⁻¹	电动机 Motor		进口直径 × 壁厚 Inlet Diameter mm	出口直径 × 壁厚 Outlet Diameter mm	重量 Weight kg
					型号 Type	功率 Power kW			
3D4-1.6/16.0	42	1.6	30	148	Y250M-8B ₃	30	φ 42 × 5	φ 43 × 11.5	2300 ~ 2700
3D4-1.6/50.0	50				Y280S-8B ₃	37			
3D4-1.6/63.0	63				Y280M-8B ₃	45			
3D4-2/32.0	32	2	35		Y250M-8B ₃	30	φ 60 × 5	φ 42 × 5	
3D4-2/38.0	38				Y280S-8B ₃	37			
3D4-2/45.0	45				Y280M-8B ₃	45			
3D4-3/20.0	20	3	40		Y250M-8B ₃	30			
3D4-3/25.0	25				Y280S-8B ₃	37			
3D4-3/32.0	32				Y280M-8B ₃	45			
3D4-4/16.6	16	4	46		Y250M-8B ₃	30			
3D4-4/20.0	20				Y280S-8B ₃	37			
3D4-4/25.0	25				Y280M-8B ₃	45			
3D4-5/10.0	10	5	52		Y200L-8B ₃	22	φ 73 × 4	φ 56 × 8	
3D4-5/12.5	12.5				Y225S-8B ₃	30			
3D4-5/16.0	16				Y225M-8B ₃	37			
3D4-5/20.0	20			Y250M-8B ₃	45				
3D4-6/10.0	10	6	58	Y250M-8B ₃	30				
3D4-6/12.5	12.5			Y280S-8B ₃	37				
3D4-6/16.0	16			Y280M-8B ₃	45				
3D4-8/8.0	8	8	66	Y250M-8B ₃	30				
3D4-8/10.0	10			Y280S-8B ₃	37				
3D4-8/12.5	12.5			Y280M-8B ₃	45				

注: 1. 泵速可增为 180 和 185rpm. 流量和电机功率相应增大。

2. 柱塞行程: S = 100mm。

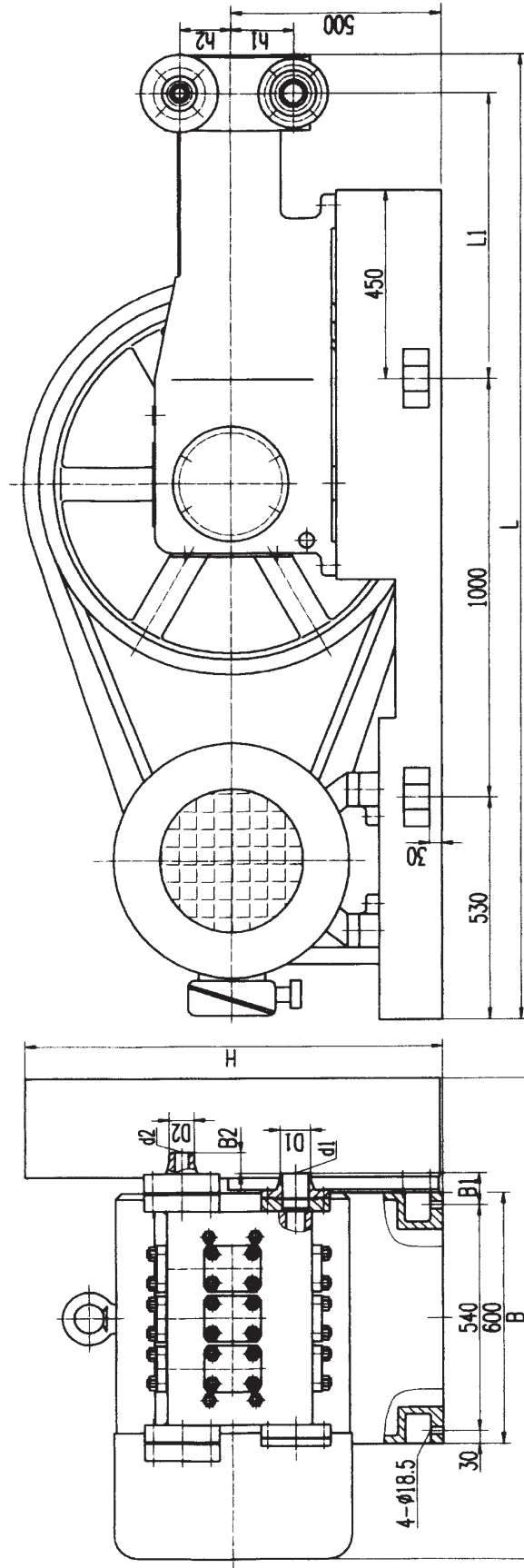
3. 电动机: V = 380V、n=740min⁻¹。

4. 材料代号见表 1, 特殊功能型号见表 2, 若需选取其它未列参数请与设计处联系。



3D₄ 型电动往复泵外形及安装尺寸图

Outline & Installing Dimensions Drawing of Model 3D₄ Motor-Driven Reciprocating Pump



泵型号 Pump	B	B1	B2	d1	D1	d2	D2	L	L1	h1	h2	H	备注 Remarks
3D ₄ -2.5/10~20	898~937												
3D ₄ -3/25~32	1093	71	56	50	60	32	48	2304	681	150	120	993	n=148rpm
3D ₄ -4/20~25	1093~1143												
3D ₄ -6.5/12.5~25	1093~1143	59	47	65	73	40	56	2242	668.5	122.5	90.5	993	n=185rpm
3D ₄ -8/10~12.5													n=180rpm



3D₅ 型电动往复泵性能参数

Performance Parameter of Model 3D₅ Motor-Driven Reciprocating Pump

进口压力: 0.01~1Mpa

型号 Model	排出压力 Discharge Pressure MPa	流量 Capacity m ³ /h	柱塞直径 Plunger Diameter mm	泵速 Speed min ⁻¹	电动机 Motor		进口直径 Inlet Diameter mm	出口直径 Outlet Diameter mm	重量 Weight kg
					型号 Type	功率 Power kw			
3D ₅ -2.5/63.0	60	2.5	30	217	Y280M-6B3	55	φ 55 × 5	φ 40 × 7	3260
3D ₅ -2.5/50.0	50				Y280S-6B3	45			
3D ₅ -3.2/63.0	63	Y315S-6B3		75					
3D ₅ -3.2/48.0	48	3.2	34	217	Y280M-6B3	55			
3D ₅ -3.2/38.0	38				Y280S-6B3	45			
3D ₅ -4/50.0	50			Y315S-6B3	75				
3D ₅ -4/38.0	38	4	38	217	Y280M-6B3	55			
3D ₅ -4/30.0	30				Y280S-6B3	45			
3D ₅ -5/40.0	40			Y315S-6B3	75				
3D ₅ -5/32.0	32	5	43	217	Y280M-6B3	55			
3D ₅ -5/25.0	25				Y280S-6B3	45			
3D ₅ -6.3/32.0	32			6.3	48	217	Y315S-6B3	75	
3D ₅ -6.3/25.0	25	Y280M-6B3	55						
3D ₅ -6.3/20.0	20	Y280S-6B3	45						
3D ₅ -8/25.0	25	8	54	217	Y315S-6B3	75			
3D ₅ -8/20.0	20				Y280M-6B3	55			
3D ₅ 8/16.0	16			Y280S-6B3	45				
3D ₅ -10/20.0	20	10	60	217	Y315S-6B3	75			
3D ₅ -10/15.0	15				Y280M-6B3	55			
3D ₅ -10/12.5	12.5			Y280S-6B3	45				
3D ₅ -12.5/16.0	16	12.5	66	217	Y315S-6B3	75			
3D ₅ -12.5/10.0	12.5				Y280M-6B3	55			
3D ₅ -12.5/8.0	10			Y280S-6B3	45				
3D ₅ -16/12.5	12.5	16	75	217	Y315S-6B3	75			
3D ₅ -16/10.0	10				Y280M-6B3	55			
3D ₅ -16/8.0	8			Y280S-6B3	45				
3D ₅ -20/10.0	10	20	85	217	Y315S-6B3	75			
3D ₅ -20/7.5	7.5				Y280M-6B3	55			
3D ₅ -20/6.3	6.3			Y280S-6B3	45				
3D ₅ -25/8.0	8	25	85	280	Y315S-6B3	75			
3D ₅ -25/6	6				Y280M-6B3	55			
3D ₅ -25/5.0	5			Y280S-6B3	45				

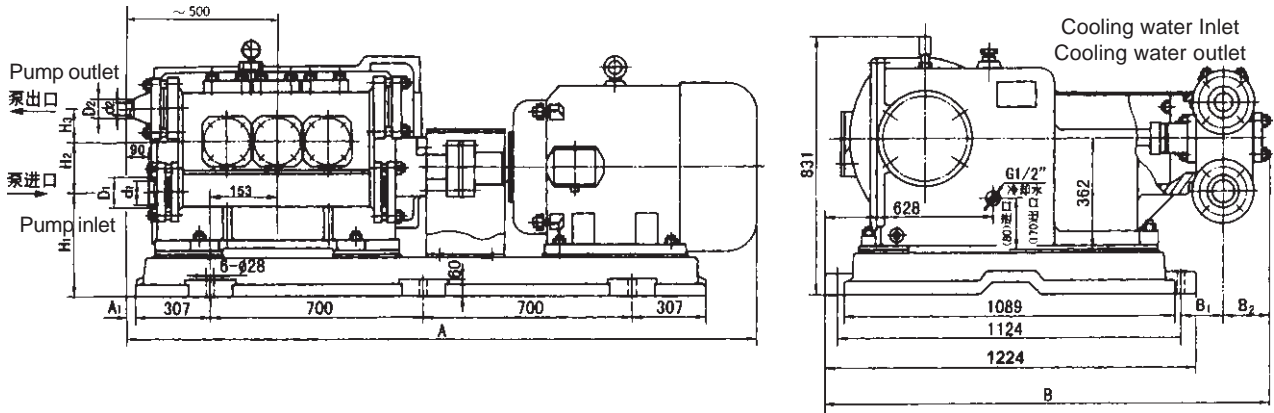
注(Note) : 1、柱塞行程 Plunger stroke length: S=100mm.

2、电动机 Motor: v=380V、n=980min⁻¹.

3、材料代号见表 1, 特殊功能型号见表 2, 若需选取其它未列参数请与设计处联系。

3D₅ 型电动往复泵外形及安装尺寸图

Outline & Installing Dimensions Drawing of Model 3D₅ Motor-Driven Reciprocating Pump



3D₅ 型电动往复泵安装尺寸

Installing Dimensions of Model 3D₅ Motor-Driven Reciprocating Pump

型号 Model	A	A ₁	B	B ₁	B ₂	H ₁	H ₂	H ₃	D ₁	D ₂	d ₁	d ₂
3D ₅ -2.5/60.0	2145	-60	1497	153	168	437	100	81	53	40	45	20
3D ₅ -2.5/40.0												
3D ₅ -4/32.0	2300											
3D ₅ -4/25.0	2145											
3D ₅ -5/25.0	2300	12	1462	151	190	352	150	120	76	48	65	32
3D ₅ -5/20.0	2145											
3D ₅ -6.3/32.0	2300											
3D ₅ -6.3/20.0	2145	-30	1510	158	175	382	120	100	75	55	65	32
3D ₅ -8/16.0	2338											
3D ₅ -8/12.5	2183	40	1467	145	147	336	166	112	100	60	80	46
3D ₅ -10/12.5	2338											
3D ₅ -10/10.0	2183											
3D ₅ -12.5/12.5	2321											
3D ₅ -12.5/10.0	2152	3	1493	153	165	330	172	128	110	85	100	65
3D ₅ -16/10.0	2187											
3D ₅ -16/6.3	2143											
3D ₅ -20/10.0	2187											
3D ₅ -20/8.0	2143	-33	1517	173	170	300	201	174	110	85	100	65
3D ₅ -25/8.0	2200											
3D ₅ -25/6.3	2150											



3D₆ 型电动往复泵性能参数

Performance Parameter of Model 3D₆ Motor-Driven Reciprocating Pump

进口压力: 0.01~1Mpa

型号 Model	排出压力 Discharge Pressure MPa	流量 Capacity m ³ /h	柱塞直径 Plunger Diameter mm	泵速 Speed min ⁻¹	电动机 Motor		进口直径 × 壁厚 Inlet Diameter mm	出口直径 × 壁厚 Outlet Diameter mm	重量 Weight kg																																																																																																																																																																																																																																																																																																																																																												
					型号 Type	功率 Power kW																																																																																																																																																																																																																																																																																																																																																															
3D ₆ -6.3/50.0	50	6.3	40	248	Y315L1-6B3	110	φ 60 × 5	φ 73 × 16.5	4500																																																																																																																																																																																																																																																																																																																																																												
3D ₆ -6.3/40.0	40				Y315M-6B3	90				3D ₆ -8/50.0	50	8	45	300	Y355M-6B3	160	φ 60 × 5	φ 73 × 16.5	4500	3D ₆ -8/40.0	40	Y315L1-6B3	110	3D ₆ -8/32.0	32	10	50	248	Y315M-6B3	90	φ 60 × 5	φ 73 × 16.5	4500	3D ₆ -10/40.0	40	Y355M-6B3	160	3D ₆ -10/32.0	32	12.5	58	248	Y315L1-6B3	110	φ 60 × 5	φ 73 × 16.5	4500	3D ₆ -10/25.0	25	Y315M-6B3	90	3D ₆ -12.5/32.0	32	13.5	58	300	Y355M-6B3	160	φ 60 × 5	φ 73 × 16.5	4500	3D ₆ -13.5/23.0	23	Y315L1-6B3	110	3D ₆ -13.5/18.5	18.5	16	62	248	Y315M-6B3	90	φ 114.3 × 6.4	φ 76 × 14.3	4500	3D ₆ -17/25.0	25	Y355M-6B3	160	3D ₆ -16/20.0	20	19	66	300	Y315L1-6B3	110	φ 114.3 × 6.4	φ 76 × 14.3	4500	3D ₆ -16/16.0	16	Y315M-6B3	90	3D ₆ -19/21.0	21	20	70	248	Y355M-6B3	160	φ 114.3 × 6.4	φ 76 × 14.3	4500	3D ₆ -22/18.0	18	Y315L1-6B3	110	3D ₆ -20/16.0	16	24	70	300	Y315M-6B3	90	φ 114.3 × 6.4	φ 76 × 14.3	4500	3D ₆ -20/12.5	12.5	Y355M-6B3	160	3D ₆ -24/17.0	17	25	80	248	Y315L1-6B3	110	φ 115 × 7.5	φ 89 × 14.5	5000	3D ₆ -25/12.5	12.5	Y315M-6B3	90	3D ₆ -25/10.0	10	32	90	300	Y355M-6B3	160	φ 115 × 7.5	φ 89 × 14.5	5000	3D ₆ -32/12.5	12.5	Y315L1-6B3	110	3D ₆ -32/10.0	10	40	100	248	Y315M-6B3	90	φ 115 × 7.5	φ 89 × 14.5	5000	3D ₆ -32/8.0	8	Y355M-6B3	160	3D ₆ -40/10.0	10	50	110	248	Y315L1-6B3	110	φ 168.3 × 9	φ 114.3 × 12	5000	3D ₆ -40/8.0	8	Y315M-6B3	90	3D ₆ -40/6.3	6.3	60	110	300	Y355M-6B3	160	φ 168.3 × 9	φ 114.3 × 12	5000	3D ₆ -50/8.0	8	Y315L1-6B3	110	3D ₆ -50/6.3	6.3	60	110	248	Y315M-6B3	90	φ 168.3 × 9	φ 114.3 × 12	5000	3D ₆ -50/5.0	5	Y355M-6B3	160	3D ₆ -60/6.3	6.3	60	110	300	Y315L1-6B3	110	φ 168.3 × 9	φ 114.3 × 12	5000	3D ₆ -60/5.0	5	Y315M-6B3	90	3D ₆ -60/4.0	4	60	110	300	Y355M-6B3	160	φ 168.3 × 9	φ 114.3 × 12	5000	3D ₆ -60/4.0	4	Y315L1-6B3	110																																																																																																																												
3D ₆ -8/50.0	50	8	45	300	Y355M-6B3	160				φ 60 × 5	φ 73 × 16.5				4500																																																																																																																																																																																																																																																																																																																																																						
3D ₆ -8/40.0	40				Y315L1-6B3	110						3D ₆ -8/32.0	32	10		50				248	Y315M-6B3	90	φ 60 × 5	φ 73 × 16.5	4500	3D ₆ -10/40.0	40	Y355M-6B3	160	3D ₆ -10/32.0				32	12.5	58	248	Y315L1-6B3	110	φ 60 × 5	φ 73 × 16.5	4500	3D ₆ -10/25.0	25				Y315M-6B3	90	3D ₆ -12.5/32.0	32	13.5	58	300	Y355M-6B3	160	φ 60 × 5	φ 73 × 16.5				4500	3D ₆ -13.5/23.0	23	Y315L1-6B3	110	3D ₆ -13.5/18.5	18.5	16	62	248	Y315M-6B3				90	φ 114.3 × 6.4	φ 76 × 14.3	4500	3D ₆ -17/25.0	25	Y355M-6B3	160	3D ₆ -16/20.0	20	19				66	300	Y315L1-6B3	110	φ 114.3 × 6.4	φ 76 × 14.3	4500	3D ₆ -16/16.0	16	Y315M-6B3	90				3D ₆ -19/21.0	21	20	70	248	Y355M-6B3	160	φ 114.3 × 6.4	φ 76 × 14.3	4500	3D ₆ -22/18.0				18	Y315L1-6B3	110	3D ₆ -20/16.0	16	24	70	300	Y315M-6B3	90	φ 114.3 × 6.4				φ 76 × 14.3	4500	3D ₆ -20/12.5	12.5	Y355M-6B3	160	3D ₆ -24/17.0	17	25	80	248				Y315L1-6B3	110	φ 115 × 7.5	φ 89 × 14.5	5000	3D ₆ -25/12.5	12.5	Y315M-6B3	90	3D ₆ -25/10.0	10				32	90	300	Y355M-6B3	160	φ 115 × 7.5	φ 89 × 14.5	5000	3D ₆ -32/12.5	12.5	Y315L1-6B3				110	3D ₆ -32/10.0	10	40	100	248	Y315M-6B3	90	φ 115 × 7.5	φ 89 × 14.5	5000				3D ₆ -32/8.0	8	Y355M-6B3	160	3D ₆ -40/10.0	10	50	110	248	Y315L1-6B3	110				φ 168.3 × 9	φ 114.3 × 12	5000	3D ₆ -40/8.0	8	Y315M-6B3	90	3D ₆ -40/6.3	6.3	60	110				300	Y355M-6B3	160	φ 168.3 × 9	φ 114.3 × 12	5000	3D ₆ -50/8.0	8	Y315L1-6B3	110	3D ₆ -50/6.3				6.3	60	110	248	Y315M-6B3	90	φ 168.3 × 9	φ 114.3 × 12	5000	3D ₆ -50/5.0	5	Y355M-6B3	160	3D ₆ -60/6.3	6.3	60	110	300	Y315L1-6B3	110	φ 168.3 × 9	φ 114.3 × 12	5000	3D ₆ -60/5.0	5	Y315M-6B3	90	3D ₆ -60/4.0	4	60	110	300	Y355M-6B3	160	φ 168.3 × 9	φ 114.3 × 12	5000	3D ₆ -60/4.0	4	Y315L1-6B3	110																																																																																							
3D ₆ -8/32.0	32	10	50	248	Y315M-6B3	90						φ 60 × 5	φ 73 × 16.5								4500																																																																																																																																																																																																																																																																																																																																																
3D ₆ -10/40.0	40				Y355M-6B3	160								3D ₆ -10/32.0		32				12.5		58				248	Y315L1-6B3	110	φ 60 × 5	φ 73 × 16.5				4500	3D ₆ -10/25.0	25	Y315M-6B3	90	3D ₆ -12.5/32.0				32	13.5				58	300	Y355M-6B3	160	φ 60 × 5	φ 73 × 16.5	4500	3D ₆ -13.5/23.0	23							Y315L1-6B3	110	3D ₆ -13.5/18.5	18.5	16	62	248	Y315M-6B3	90	φ 114.3 × 6.4				φ 76 × 14.3				4500	3D ₆ -17/25.0	25	Y355M-6B3	160	3D ₆ -16/20.0	20				19	66	300	Y315L1-6B3				110	φ 114.3 × 6.4	φ 76 × 14.3	4500				3D ₆ -16/16.0	16	Y315M-6B3	90	3D ₆ -19/21.0	21	20				70				248	Y355M-6B3	160	φ 114.3 × 6.4	φ 76 × 14.3	4500	3D ₆ -22/18.0	18	Y315L1-6B3	110							3D ₆ -20/16.0	16	24	70	300	Y315M-6B3	90	φ 114.3 × 6.4	φ 76 × 14.3				4500	3D ₆ -20/12.5				12.5	Y355M-6B3	160	3D ₆ -24/17.0	17	25				80	248	Y315L1-6B3	110	φ 115 × 7.5				φ 89 × 14.5	5000	3D ₆ -25/12.5				12.5	Y315M-6B3	90	3D ₆ -25/10.0	10	32	90	300							Y355M-6B3	160	φ 115 × 7.5	φ 89 × 14.5	5000	3D ₆ -32/12.5	12.5	Y315L1-6B3	110	3D ₆ -32/10.0	10							40	100	248	Y315M-6B3	90	φ 115 × 7.5	φ 89 × 14.5	5000				3D ₆ -32/8.0	8	Y355M-6B3				160	3D ₆ -40/10.0	10	50	110				248	Y315L1-6B3	110	φ 168.3 × 9	φ 114.3 × 12	5000				3D ₆ -40/8.0	8	Y315M-6B3	90	3D ₆ -40/6.3	6.3	60	110	300	Y355M-6B3	160				φ 168.3 × 9	φ 114.3 × 12	5000	3D ₆ -50/8.0	8	Y315L1-6B3	110	3D ₆ -50/6.3	6.3	60	110				248	Y315M-6B3	90	φ 168.3 × 9	φ 114.3 × 12	5000	3D ₆ -50/5.0	5	Y355M-6B3	160	3D ₆ -60/6.3	6.3	60	110	300	Y315L1-6B3	110	φ 168.3 × 9	φ 114.3 × 12	5000	3D ₆ -60/5.0	5	Y315M-6B3	90	3D ₆ -60/4.0	4	60	110	300	Y355M-6B3	160	φ 168.3 × 9	φ 114.3 × 12	5000	3D ₆ -60/4.0	4	Y315L1-6B3	110																																																					
3D ₆ -10/32.0	32	12.5	58	248	Y315L1-6B3	110								φ 60 × 5		φ 73 × 16.5											4500																																																																																																																																																																																																																																																																																																																																										
3D ₆ -10/25.0	25				Y315M-6B3	90														3D ₆ -12.5/32.0		32				13.5		58							300	Y355M-6B3	160	φ 60 × 5	φ 73 × 16.5				4500	3D ₆ -13.5/23.0				23	Y315L1-6B3	110	3D ₆ -13.5/18.5				18.5	16							62	248	Y315M-6B3	90	φ 114.3 × 6.4	φ 76 × 14.3	4500	3D ₆ -17/25.0	25										Y355M-6B3	160	3D ₆ -16/20.0	20	19	66				300	Y315L1-6B3	110	φ 114.3 × 6.4				φ 76 × 14.3							4500	3D ₆ -16/16.0	16	Y315M-6B3	90	3D ₆ -19/21.0	21				20				70	248	Y355M-6B3				160	φ 114.3 × 6.4	φ 76 × 14.3	4500							3D ₆ -22/18.0	18	Y315L1-6B3	110	3D ₆ -20/16.0	16	24							70				300	Y315M-6B3	90	φ 114.3 × 6.4	φ 76 × 14.3	4500				3D ₆ -20/12.5	12.5	Y355M-6B3	160							3D ₆ -24/17.0				17	25	80	248	Y315L1-6B3	110	φ 115 × 7.5	φ 89 × 14.5							5000	3D ₆ -25/12.5				12.5	Y315M-6B3	90	3D ₆ -25/10.0	10	32							90	300	Y355M-6B3	160	φ 115 × 7.5							φ 89 × 14.5	5000	3D ₆ -32/12.5				12.5	Y315L1-6B3	110	3D ₆ -32/10.0	10				40	100	248							Y315M-6B3	90	φ 115 × 7.5	φ 89 × 14.5	5000	3D ₆ -32/8.0	8	Y355M-6B3	160	3D ₆ -40/10.0	10							50	110	248	Y315L1-6B3	110	φ 168.3 × 9	φ 114.3 × 12	5000				3D ₆ -40/8.0	8	Y315M-6B3				90	3D ₆ -40/6.3	6.3	60	110	300	Y355M-6B3	160	φ 168.3 × 9	φ 114.3 × 12	5000				3D ₆ -50/8.0	8	Y315L1-6B3	110	3D ₆ -50/6.3	6.3	60	110	248	Y315M-6B3	90				φ 168.3 × 9	φ 114.3 × 12	5000	3D ₆ -50/5.0	5	Y355M-6B3	160	3D ₆ -60/6.3	6.3	60	110	300	Y315L1-6B3	110	φ 168.3 × 9	φ 114.3 × 12	5000	3D ₆ -60/5.0	5	Y315M-6B3	90	3D ₆ -60/4.0	4	60	110	300	Y355M-6B3	160	φ 168.3 × 9	φ 114.3 × 12	5000	3D ₆ -60/4.0	4	Y315L1-6B3	110																						
3D ₆ -12.5/32.0	32	13.5	58	300	Y355M-6B3	160														φ 60 × 5		φ 73 × 16.5														4500																																																																																																																																																																																																																																																																																																																																	
3D ₆ -13.5/23.0	23				Y315L1-6B3	110																				3D ₆ -13.5/18.5		18.5							16		62							248				Y315M-6B3	90	φ 114.3 × 6.4	φ 76 × 14.3				4500	3D ₆ -17/25.0							25	Y355M-6B3	160	3D ₆ -16/20.0				20	19										66	300	Y315L1-6B3	110	φ 114.3 × 6.4	φ 76 × 14.3				4500	3D ₆ -16/16.0	16													Y315M-6B3	90	3D ₆ -19/21.0	21	20	70				248				Y355M-6B3	160	φ 114.3 × 6.4				φ 76 × 14.3										4500	3D ₆ -22/18.0	18	Y315L1-6B3	110	3D ₆ -20/16.0	16							24				70	300	Y315M-6B3							90	φ 114.3 × 6.4	φ 76 × 14.3	4500							3D ₆ -20/12.5				12.5	Y355M-6B3	160	3D ₆ -24/17.0	17	25										80				248	Y315L1-6B3	110	φ 115 × 7.5	φ 89 × 14.5	5000							3D ₆ -25/12.5	12.5	Y315M-6B3	90										3D ₆ -25/10.0				10	32	90	300	Y355M-6B3				160	φ 115 × 7.5	φ 89 × 14.5							5000	3D ₆ -32/12.5				12.5	Y315L1-6B3	110	3D ₆ -32/10.0	10	40							100	248	Y315M-6B3	90	φ 115 × 7.5							φ 89 × 14.5	5000	3D ₆ -32/8.0				8	Y355M-6B3	160	3D ₆ -40/10.0	10	50	110	248							Y315L1-6B3	110	φ 168.3 × 9	φ 114.3 × 12	5000	3D ₆ -40/8.0	8	Y315M-6B3	90	3D ₆ -40/6.3	6.3							60	110	300	Y355M-6B3	160	φ 168.3 × 9	φ 114.3 × 12	5000	3D ₆ -50/8.0	8	Y315L1-6B3				110	3D ₆ -50/6.3	6.3	60	110	248	Y315M-6B3	90	φ 168.3 × 9	φ 114.3 × 12	5000				3D ₆ -50/5.0	5	Y355M-6B3	160	3D ₆ -60/6.3	6.3	60	110	300	Y315L1-6B3	110	φ 168.3 × 9	φ 114.3 × 12	5000	3D ₆ -60/5.0	5	Y315M-6B3	90	3D ₆ -60/4.0	4	60	110	300	Y355M-6B3	160	φ 168.3 × 9
3D ₆ -13.5/18.5	18.5	16	62	248	Y315M-6B3	90	φ 114.3 × 6.4	φ 76 × 14.3	4500																																																																																																																																																																																																																																																																																																																																																												
3D ₆ -17/25.0	25				Y355M-6B3	160											3D ₆ -16/20.0	20	19							66		300			Y315L1-6B3	110	φ 114.3 × 6.4		φ 76 × 14.3		4500							3D ₆ -16/16.0	16	Y315M-6B3	90	3D ₆ -19/21.0	21							20			70	248	Y355M-6B3		160	φ 114.3 × 6.4	φ 76 × 14.3	4500				3D ₆ -22/18.0	18		Y315L1-6B3	110	3D ₆ -20/16.0						16	24	70	300			Y315M-6B3	90	φ 114.3 × 6.4		φ 76 × 14.3	4500									3D ₆ -20/12.5	12.5	Y355M-6B3		160	3D ₆ -24/17.0	17	25	80	248				Y315L1-6B3	110	φ 115 × 7.5	φ 89 × 14.5	5000	3D ₆ -25/12.5										12.5	Y315M-6B3	90				3D ₆ -25/10.0	10	32	90	300	Y355M-6B3			160	φ 115 × 7.5	φ 89 × 14.5		5000				3D ₆ -32/12.5	12.5	Y315L1-6B3				110	3D ₆ -32/10.0	10	40										100	248	Y315M-6B3	90	φ 115 × 7.5	φ 89 × 14.5	5000	3D ₆ -32/8.0	8	Y355M-6B3						160	3D ₆ -40/10.0	10		50				110	248	Y315L1-6B3				110	φ 168.3 × 9	φ 114.3 × 12				5000	3D ₆ -40/8.0	8	Y315M-6B3					90	3D ₆ -40/6.3	6.3			60				110	300	Y355M-6B3	160	φ 168.3 × 9	φ 114.3 × 12	5000	3D ₆ -50/8.0	8										Y315L1-6B3				110	3D ₆ -50/6.3	6.3	60	110	248							Y315M-6B3	90	φ 168.3 × 9	φ 114.3 × 12										5000				3D ₆ -50/5.0	5	Y355M-6B3	160	3D ₆ -60/6.3	6.3	60	110							300	Y315L1-6B3				110	φ 168.3 × 9	φ 114.3 × 12	5000	3D ₆ -60/5.0	5							Y315M-6B3	90	3D ₆ -60/4.0	4	60				110	300	Y355M-6B3				160	φ 168.3 × 9	φ 114.3 × 12	5000	3D ₆ -60/4.0	4	Y315L1-6B3	110																																
3D ₆ -16/20.0	20	19	66	300	Y315L1-6B3	110				φ 114.3 × 6.4	φ 76 × 14.3				4500																																																																																																																																																																																																																																																																																																																																																						
3D ₆ -16/16.0	16				Y315M-6B3	90											3D ₆ -19/21.0	21	20				70	248	Y355M-6B3	160		φ 114.3 × 6.4			φ 76 × 14.3	4500								3D ₆ -22/18.0	18	Y315L1-6B3		110	3D ₆ -20/16.0	16	24	70	300							Y315M-6B3	90	φ 114.3 × 6.4	φ 76 × 14.3	4500	3D ₆ -20/12.5	12.5	Y355M-6B3							160	3D ₆ -24/17.0		17	25	80		248	Y315L1-6B3	110		φ 115 × 7.5	φ 89 × 14.5	5000	3D ₆ -25/12.5			12.5	Y315M-6B3						90	3D ₆ -25/10.0	10					32	90	300		Y355M-6B3	160	φ 115 × 7.5	φ 89 × 14.5	5000	3D ₆ -32/12.5	12.5	Y315L1-6B3	110	3D ₆ -32/10.0	10				40									100	248	Y315M-6B3	90	φ 115 × 7.5	φ 89 × 14.5		5000	3D ₆ -32/8.0	8	Y355M-6B3	160	3D ₆ -40/10.0			10					50	110	248	Y315L1-6B3	110	φ 168.3 × 9				φ 114.3 × 12	5000	3D ₆ -40/8.0	8					Y315M-6B3	90	3D ₆ -40/6.3			6.3	60	110	300				Y355M-6B3	160	φ 168.3 × 9			φ 114.3 × 12	5000	3D ₆ -50/8.0	8	Y315L1-6B3	110		3D ₆ -50/6.3				6.3	60	110				248			Y315M-6B3	90	φ 168.3 × 9		φ 114.3 × 12	5000	3D ₆ -50/5.0					5	Y355M-6B3	160			3D ₆ -60/6.3	6.3	60	110	300	Y315L1-6B3	110	φ 168.3 × 9				φ 114.3 × 12	5000						3D ₆ -60/5.0	5	Y315M-6B3		90				3D ₆ -60/4.0	4	60	110	300	Y355M-6B3	160	φ 168.3 × 9	φ 114.3 × 12				5000	3D ₆ -60/4.0							4	Y315L1-6B3	110																																																																																											
3D ₆ -19/21.0	21	20	70	248	Y355M-6B3	160						φ 114.3 × 6.4	φ 76 × 14.3				4500																																																																																																																																																																																																																																																																																																																																																				
3D ₆ -22/18.0	18				Y315L1-6B3	110												3D ₆ -20/16.0	16		24		70	300	Y315M-6B3	90			φ 114.3 × 6.4	φ 76 × 14.3				4500						3D ₆ -20/12.5	12.5	Y355M-6B3		160	3D ₆ -24/17.0	17	25	80	248			Y315L1-6B3	110	φ 115 × 7.5		φ 89 × 14.5	5000				3D ₆ -25/12.5	12.5	Y315M-6B3							90	3D ₆ -25/10.0	10	32	90	300	Y355M-6B3	160	φ 115 × 7.5	φ 89 × 14.5	5000				3D ₆ -32/12.5			12.5	Y315L1-6B3						110	3D ₆ -32/10.0	10		40	100	248	Y315M-6B3	90	φ 115 × 7.5		φ 89 × 14.5	5000				3D ₆ -32/8.0	8	Y355M-6B3	160	3D ₆ -40/10.0	10				50		110	248	Y315L1-6B3					110	φ 168.3 × 9	φ 114.3 × 12	5000					3D ₆ -40/8.0	8	Y315M-6B3	90	3D ₆ -40/6.3	6.3	60	110			300		Y355M-6B3	160	φ 168.3 × 9	φ 114.3 × 12	5000							3D ₆ -50/8.0	8				Y315L1-6B3	110	3D ₆ -50/6.3	6.3	60	110	248	Y315M-6B3	90	φ 168.3 × 9				φ 114.3 × 12	5000						3D ₆ -50/5.0	5	Y355M-6B3	160		3D ₆ -60/6.3	6.3	60	110	300	Y315L1-6B3	110				φ 168.3 × 9			φ 114.3 × 12	5000					3D ₆ -60/5.0		5	Y315M-6B3	90	3D ₆ -60/4.0	4	60			110	300	Y355M-6B3	160	φ 168.3 × 9	φ 114.3 × 12	5000									3D ₆ -60/4.0	4	Y315L1-6B3	110																																																																																																																									
3D ₆ -20/16.0	16	24	70	300	Y315M-6B3	90								φ 114.3 × 6.4		φ 76 × 14.3		4500																																																																																																																																																																																																																																																																																																																																																			
3D ₆ -20/12.5	12.5				Y355M-6B3	160													3D ₆ -24/17.0		17		25	80	248	Y315L1-6B3	110											φ 115 × 7.5	φ 89 × 14.5	5000	3D ₆ -25/12.5	12.5	Y315M-6B3	90	3D ₆ -25/10.0	10	32	90	300			Y355M-6B3	160								φ 115 × 7.5	φ 89 × 14.5	5000				3D ₆ -32/12.5	12.5	Y315L1-6B3	110	3D ₆ -32/10.0	10	40	100	248	Y315M-6B3	90							φ 115 × 7.5			φ 89 × 14.5	5000					3D ₆ -32/8.0	8	Y355M-6B3	160	3D ₆ -40/10.0	10	50	110	248	Y315L1-6B3		110						φ 168.3 × 9	φ 114.3 × 12	5000	3D ₆ -40/8.0	8	Y315M-6B3				90		3D ₆ -40/6.3	6.3	60		110	300	Y355M-6B3	160								φ 168.3 × 9	φ 114.3 × 12	5000	3D ₆ -50/8.0	8	Y315L1-6B3	110	3D ₆ -50/6.3			6.3		60	110					248	Y315M-6B3	90			φ 168.3 × 9	φ 114.3 × 12				5000	3D ₆ -50/5.0	5	Y355M-6B3	160	3D ₆ -60/6.3	6.3	60	110								300	Y315L1-6B3			110	φ 168.3 × 9	φ 114.3 × 12	5000	3D ₆ -60/5.0	5	Y315M-6B3	90	3D ₆ -60/4.0	4	60	110													300	Y355M-6B3	160	φ 168.3 × 9	φ 114.3 × 12	5000	3D ₆ -60/4.0	4	Y315L1-6B3	110																																																																																																																																												
3D ₆ -24/17.0	17	25	80	248	Y315L1-6B3	110													φ 115 × 7.5	φ 89 × 14.5	5000																																																																																																																																																																																																																																																																																																																																																
3D ₆ -25/12.5	12.5				Y315M-6B3	90																3D ₆ -25/10.0	10	32	90	300	Y355M-6B3									160					φ 115 × 7.5	φ 89 × 14.5	5000	3D ₆ -32/12.5	12.5	Y315L1-6B3	110	3D ₆ -32/10.0	10	40	100	248	Y315M-6B3		90												φ 115 × 7.5	φ 89 × 14.5	5000	3D ₆ -32/8.0	8	Y355M-6B3	160	3D ₆ -40/10.0	10	50	110								248	Y315L1-6B3				110			φ 168.3 × 9	φ 114.3 × 12	5000	3D ₆ -40/8.0	8	Y315M-6B3	90	3D ₆ -40/6.3	6.3	60		110									300	Y355M-6B3	160				φ 168.3 × 9	φ 114.3 × 12	5000	3D ₆ -50/8.0	8	Y315L1-6B3	110	3D ₆ -50/6.3	6.3	60						110					248	Y315M-6B3	90	φ 168.3 × 9	φ 114.3 × 12			5000		3D ₆ -50/5.0	5					Y355M-6B3	160	3D ₆ -60/6.3					6.3	60	110		300	Y315L1-6B3	110	φ 168.3 × 9	φ 114.3 × 12	5000	3D ₆ -60/5.0	5								Y315M-6B3	90			3D ₆ -60/4.0				4	60	110	300	Y355M-6B3	160	φ 168.3 × 9	φ 114.3 × 12	5000	3D ₆ -60/4.0	4										Y315L1-6B3	110																																																																																																																																																				
3D ₆ -25/10.0	10	32	90	300	Y355M-6B3	160	φ 115 × 7.5	φ 89 × 14.5	5000																																																																																																																																																																																																																																																																																																																																																												
3D ₆ -32/12.5	12.5				Y315L1-6B3	110																3D ₆ -32/10.0	10	40	100	248	Y315M-6B3						90		φ 115 × 7.5	φ 89 × 14.5	5000							3D ₆ -32/8.0	8	Y355M-6B3	160	3D ₆ -40/10.0	10	50	110	248	Y315L1-6B3		110									φ 168.3 × 9	φ 114.3 × 12	5000				3D ₆ -40/8.0	8	Y315M-6B3	90	3D ₆ -40/6.3	6.3	60	110								300	Y355M-6B3			160	φ 168.3 × 9	φ 114.3 × 12	5000				3D ₆ -50/8.0	8	Y315L1-6B3	110	3D ₆ -50/6.3	6.3	60		110									248	Y315M-6B3	90	φ 168.3 × 9	φ 114.3 × 12	5000				3D ₆ -50/5.0	5	Y355M-6B3	160	3D ₆ -60/6.3	6.3	60						110					300	Y315L1-6B3	110			φ 168.3 × 9	φ 114.3 × 12		5000	3D ₆ -60/5.0	5					Y315M-6B3	90	3D ₆ -60/4.0					4	60	110		300	Y355M-6B3	160				φ 168.3 × 9	φ 114.3 × 12		5000	3D ₆ -60/4.0	4				Y315L1-6B3	110																																																																																																																																																																																
3D ₆ -32/10.0	10	40	100	248	Y315M-6B3	90				φ 115 × 7.5	φ 89 × 14.5				5000																																																																																																																																																																																																																																																																																																																																																						
3D ₆ -32/8.0	8				Y355M-6B3	160																3D ₆ -40/10.0	10	50	110	248	Y315L1-6B3	110			φ 168.3 × 9	φ 114.3 × 12	5000											3D ₆ -40/8.0	8	Y315M-6B3	90	3D ₆ -40/6.3	6.3	60	110	300	Y355M-6B3		160			φ 168.3 × 9	φ 114.3 × 12	5000										3D ₆ -50/8.0	8	Y315L1-6B3	110	3D ₆ -50/6.3	6.3	60	110				248	Y315M-6B3	90		φ 168.3 × 9	φ 114.3 × 12			5000							3D ₆ -50/5.0	5	Y355M-6B3	160	3D ₆ -60/6.3	6.3	60		110			300	Y315L1-6B3	110				φ 168.3 × 9	φ 114.3 × 12	5000							3D ₆ -60/5.0	5	Y315M-6B3	90	3D ₆ -60/4.0	4	60				110	300	Y355M-6B3	160				φ 168.3 × 9	φ 114.3 × 12	5000							3D ₆ -60/4.0	4				Y315L1-6B3	110																																																																																																																																																																																																											
3D ₆ -40/10.0	10	50	110	248	Y315L1-6B3	110						φ 168.3 × 9	φ 114.3 × 12				5000																																																																																																																																																																																																																																																																																																																																																				
3D ₆ -40/8.0	8				Y315M-6B3	90																3D ₆ -40/6.3	6.3	60	110	300	Y355M-6B3	160	φ 168.3 × 9	φ 114.3 × 12				5000										3D ₆ -50/8.0	8	Y315L1-6B3	110	3D ₆ -50/6.3	6.3	60	110	248	Y315M-6B3	90	φ 168.3 × 9	φ 114.3 × 12	5000													3D ₆ -50/5.0	5	Y355M-6B3	160	3D ₆ -60/6.3	6.3	60	110	300	Y315L1-6B3	110	φ 168.3 × 9	φ 114.3 × 12	5000													3D ₆ -60/5.0	5	Y315M-6B3	90	3D ₆ -60/4.0	4	60	110	300	Y355M-6B3	160	φ 168.3 × 9	φ 114.3 × 12	5000													3D ₆ -60/4.0	4	Y315L1-6B3	110																																																																																																																																																																																																																																								
3D ₆ -40/6.3	6.3	60	110	300	Y355M-6B3	160								φ 168.3 × 9		φ 114.3 × 12		5000																																																																																																																																																																																																																																																																																																																																																			
3D ₆ -50/8.0	8				Y315L1-6B3	110																3D ₆ -50/6.3	6.3	60	110	248	Y315M-6B3	90										φ 168.3 × 9	φ 114.3 × 12	5000				3D ₆ -50/5.0	5	Y355M-6B3	160	3D ₆ -60/6.3	6.3	60	110	300	Y315L1-6B3	110							φ 168.3 × 9	φ 114.3 × 12	5000							3D ₆ -60/5.0	5	Y315M-6B3	90	3D ₆ -60/4.0	4	60	110	300	Y355M-6B3	160				φ 168.3 × 9			φ 114.3 × 12	5000								3D ₆ -60/4.0	4	Y315L1-6B3	110																																																																																																																																																																																																																																																																		
3D ₆ -50/6.3	6.3	60	110	248	Y315M-6B3	90													φ 168.3 × 9	φ 114.3 × 12	5000																																																																																																																																																																																																																																																																																																																																																
3D ₆ -50/5.0	5				Y355M-6B3	160																3D ₆ -60/6.3	6.3	60	110	300	Y315L1-6B3	110													φ 168.3 × 9	φ 114.3 × 12	5000	3D ₆ -60/5.0	5	Y315M-6B3	90	3D ₆ -60/4.0	4	60	110	300	Y355M-6B3	160													φ 168.3 × 9	φ 114.3 × 12	5000	3D ₆ -60/4.0	4	Y315L1-6B3	110																																																																																																																																																																																																																																																																																												
3D ₆ -60/6.3	6.3	60	110	300	Y315L1-6B3	110	φ 168.3 × 9	φ 114.3 × 12	5000																																																																																																																																																																																																																																																																																																																																																												
3D ₆ -60/5.0	5				Y315M-6B3	90																3D ₆ -60/4.0	4	60	110	300	Y355M-6B3	160							φ 168.3 × 9	φ 114.3 × 12	5000							3D ₆ -60/4.0	4	Y315L1-6B3	110																																																																																																																																																																																																																																																																																																																						
3D ₆ -60/4.0	4	60	110	300	Y355M-6B3	160				φ 168.3 × 9	φ 114.3 × 12				5000																																																																																																																																																																																																																																																																																																																																																						
3D ₆ -60/4.0	4				Y315L1-6B3	110																																																																																																																																																																																																																																																																																																																																																															

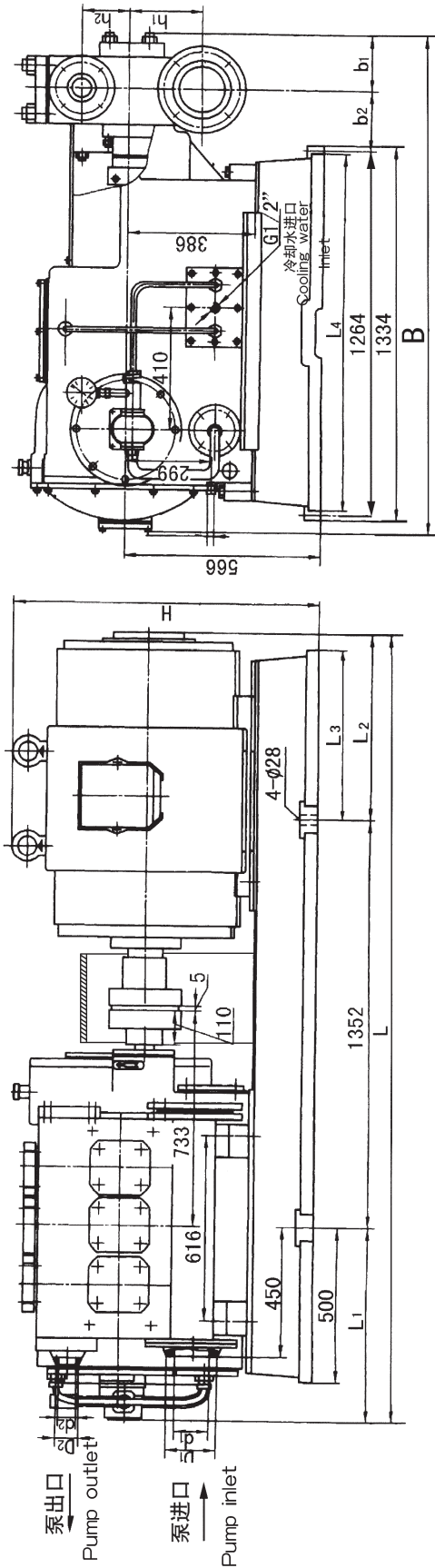
注 Note: 1、柱塞行程 Plunger stroke length: S=126mm.

2、电动机 Motor: v=380V、n=980min⁻¹



3D₆ 型电动往复泵外形及安装尺寸图

Outline & Installing Dimensions Drawing of Model 3D₆ Motor-Driven Reciprocating Pump



3D₆ 型电动往复泵安装尺寸

Installing Dimensions of Model 3D₆ Motor-Driven Reciprocating Pump

型号 Model	L	L ₁	L ₂	L ₃	L ₄	B	b ₁	b ₂	H	h ₁	h ₂	D ₁	D ₂	d ₁	d ₂
3D ₆ -6.3/32~50.0															
3D ₆ -8/25~40.0							249	210		152	140	φ 76	φ 73	φ 65	φ 40
3D ₆ -10/20~40.0									1040						
3D ₆ -12.5/25~32.0															
3D ₆ -13.5/16~25.0			726	468	1198	1696						φ 114.	φ 76.1	φ 101.	φ 47.5
3D ₆ -16/12.5~25.0	2694	786								180	126	3		5	
3D ₆ -20/16~20.0	~								1210						
3D ₆ -20/10~16.0	2864						133	176							
3D ₆ -24/12.5~18.0															
3D ₆ -25/8~12.5										215	195				φ 60
3D ₆ -32/6.3~12.5			726	468		1626	170	166				φ 115	φ 89	φ 100	
3D ₆ -40/8~10.0															



3D6.5 型电动往复泵性能参数

Performance Parameter of Model 3D_{6.5} Motor-Driven Reciprocating Pump

进口压力: 0.01~1Mpa

型号 Model	排出压力 Discharge Pressure MPa	流量 Capacity m ³ /h	柱塞直径 Plunger Diameter mm	泵速 Speed min ⁻¹	电动机 Motor		进口直径 × 壁厚 Inlet Diameter mm	出口外径 × 壁厚 Outlet Diameter mm	重量 Weight kg				
					型号 Type	功率 Power kW							
3D _{6.5} -8/63.0	63	8	45	176	Y355L-8B3	185	φ 60 × 5	φ 73 × 16.5	5000				
3D _{6.5} -8/50.0	50				Y355M-8B3	160							
3D _{6.5} -10/63.0	63	10	50	210	Y355L-8B3	220							
3D _{6.5} -10/50.0	50				Y355L-8B3	185							
3D _{6.5} -10/40.0	50				Y355M-8B3	160							
3D _{6.5} -12/50.0	50	12	58	210	Y355L-8B3	220				φ 114.3 × 6.4	φ 76 × 14.3	5000	
3D _{6.5} -13.5/36.0	36	13.5			176	Y355L-8B3	185						
3D _{6.5} -13.5/32.0	32					Y355M-8B3	160						
3D _{6.5} -16/36.0	36	16	65	210	Y355L-8B3	220	φ 115 × 7.5	φ 89 × 14.5	5300				
3D _{6.5} -17/30.0	30	17			176	Y355L-8B3							185
3D _{6.5} -17/25.0	25					Y355M-8B3							160
3D _{6.5} -20/30.0	30	20	70	210	Y355L-8B3	220				φ 168.3 × 9	φ 114.3 × 12	5300	
3D _{6.5} -20/25.0	25				176	Y355L-8B3							185
3D _{6.5} -20/20.0	20					Y355M-8B3							160
3D _{6.5} -25/25.0	25	25	75	210	Y355L-8B3	220	φ 168.3 × 9	φ 114.3 × 12	5300				
3D _{6.5} -28/20.0	22	28			176	Y355L-8B3							185
3D _{6.5} -25/20.0	20	25				Y355M-8B3							160
3D _{6.5} -32/20.0	20		32	90	210	Y355L-8B3				220	φ 168.3 × 9	φ 114.3 × 12	5300
3D _{6.5} -32/16.0	16	176				Y355L-8B3				185			
3D _{6.5} -32/12.5	12.5					Y355M-8B3				160			
3D _{6.5} -40/16.0	16	40	100	210	Y355L-8B3	220	φ 168.3 × 9	φ 114.3 × 12	5300				
3D _{6.5} -40/12.5	12.5				176	Y355L-8B3				185			
3D _{6.5} -40/10.0	10					Y355M-8B3				160			
3D _{6.5} -50/12.5	12.5	50	110	210	Y355L-8B3	220				φ 168.3 × 9	φ 114.3 × 12	5300	
3D _{6.5} -50/10.0	10				176	Y355L-8B3							185
3D _{6.5} -50/8.0	8					Y355M-8B3							160
3D _{6.5} -60/10.0	10	60	110	210	Y355L-8B3	220	φ 168.3 × 9	φ 114.3 × 12	5300				
3D _{6.5} -60/8.0	8				176	Y355L-8B3							185
3D _{6.5} -60/6.3	6.3					Y355M-8B3							160

注 Note: 1、柱塞的行程 Plunger stroke length: S=180mm。

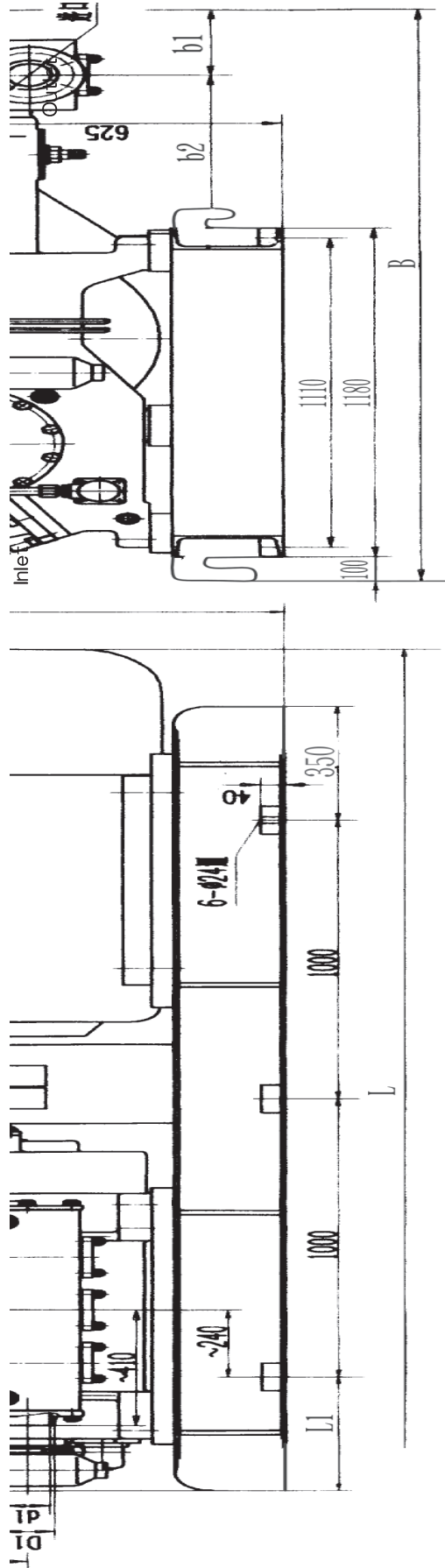
2、电动机 Motor: v=380V、n=740min⁻¹。

3、材料代号见表 1，特殊功能型号见表 2，若需选取其它未列参数请与设计处联系。



3D_{6.5} 型电动往复泵外形及安装尺寸图

Outline & Installing Dimensions Drawing of Model 3D_{6.5} Motor-Driven Reciprocating Pump



型号 Model	L	L1	B	b1	b2	H	h1	h2	D1	D2	d1	d2
3D _{6.5} -17/25.0	3025	350	2030	172	570	1275	152	140	φ 76	φ 73	φ 65	φ 40
3D _{6.5} -22/22.0							215	195	φ 115	φ 89	φ 100	φ 60
3D _{6.5} -25/20.0												
3D _{6.5} -28/18.0												
3D _{6.5} -28/22.0												



3D7 型电动往复泵性能参数

Performance Parameter of model 3D7 Motor-Driven Reciprocating Pump

进口压力: 0.2~1Mpa

型号 Model	排出压力 Discharge Pressure MPa	流量 Capacity m ³ /h	柱塞直径 Plunger Diameter mm	泵速 Speed min ⁻¹	电动机, Motor		进口外径 × 壁厚 Inlet Diameter mm	出口直径 × 壁厚 Outlet Diameter mm	重量 Weight kg
					型号 Type	功率 Power kW			
3D7-16/48.0	48	16	56	206	Y400-8B3	280	φ 114.3 × 6.4	φ 76 × 14.3	7580
3D7-16/38.0	38				Y355L-8B3	220			
3D7-20/48.0	48	20	62	250	Y450-8B3	355			
3D7-20/39.0	39			206	Y400-8B3	280			
3D7-20/31.0	31			250	Y450-8B3	355			
3D7-25/40.0	40	25	71	206	Y400-8B3	280			
3D7-25/30.0	31				Y355L-8B3	220			
3D7-25/24.0	24	32	77	206	Y400-8B3	280			
3D7-32/31.0	31				Y355L-8B3	220			
3D7-32/25.0	25				Y400-8B3	315			
3D7-36/23.0	23	36	80	250	Y355L-8B3	250	φ 168.3 × 9	φ 101.6 × 10.5	8000
3D7-36/20.0	20				Y450-8B3	355			
3D7-40/25.0	25	40	82	250	Y400-8B3	315			
3D7-44/22.0	22				Y400-8B3	280			
3D7-44/20.0	20	44	90	206	Y400-8B3	280			
3D7-44/15.0	15				Y450-8B3	355			
3D7-53/20.0	20	53	100	206	Y400-8B3	280	φ 168.3 × 9	φ 101.6 × 10.5	8000
3D7-54/15.5	15.5	54			Y355L-8B3	220			
3D7-54/12.0	12				250	Y450-8B3			
3D7-65/16.0	16	65	110	206	Y400-8B3	280			
3D7-65/12.5	12.5				Y355L-8B3	220			
3D7-65/10.0	10				Y450-8B3	355			
3D7-80/12.5	12.5	80	110	250	Y400-8B3	280	φ 168.3 × 9	φ 101.6 × 10.5	8000
3D7-80/10.0	10				Y400-8B3	280			
3D7-80/8.0	8				Y355-8B3	220			

注: 1、柱塞行程 Plunger stroke length: S=200mm。

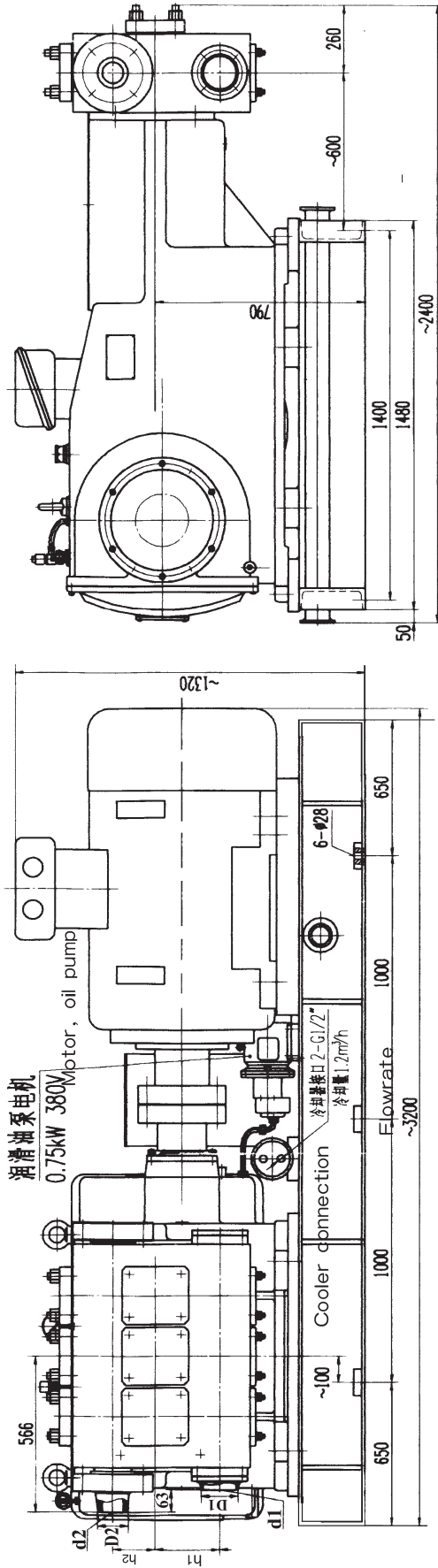
2、电动机 Motor: v=380V、n=740min⁻¹。

3、材料代号见表 1, 特殊功能型号见表 2, 若需选取其它未列参数请与设计处联系。



3D7 型电动往复泵外形及安装尺寸图

Outline & Installing Dimensions Drawing of Model 3D7 Motor-Driven Reciprocating Pump



型号 Model	d1	d2	D1	D2	h1	h2
3D7-16/32 ~ 50.0						
3D7-20/25 ~ 40.0						
3D7-25/20 ~ 40.0						
3D7-32/16 ~ 32.0						
3D7-36/16 ~ 24.0						
3D7-40/20 ~ 25.0	125	62	140	95	190	206
3D7-45/16 ~ 22.0						
3D7-40/12.5 ~ 20.0						
3D7-50/10 ~ 20.0						
3D7-63/8 ~ 16.0						
3D7-80/6.3 ~ 12.5						



3D₈ 型电动往复泵性能参数

Performance Parameter of model 3D₈ Motor-Driven Reciprocating Pump

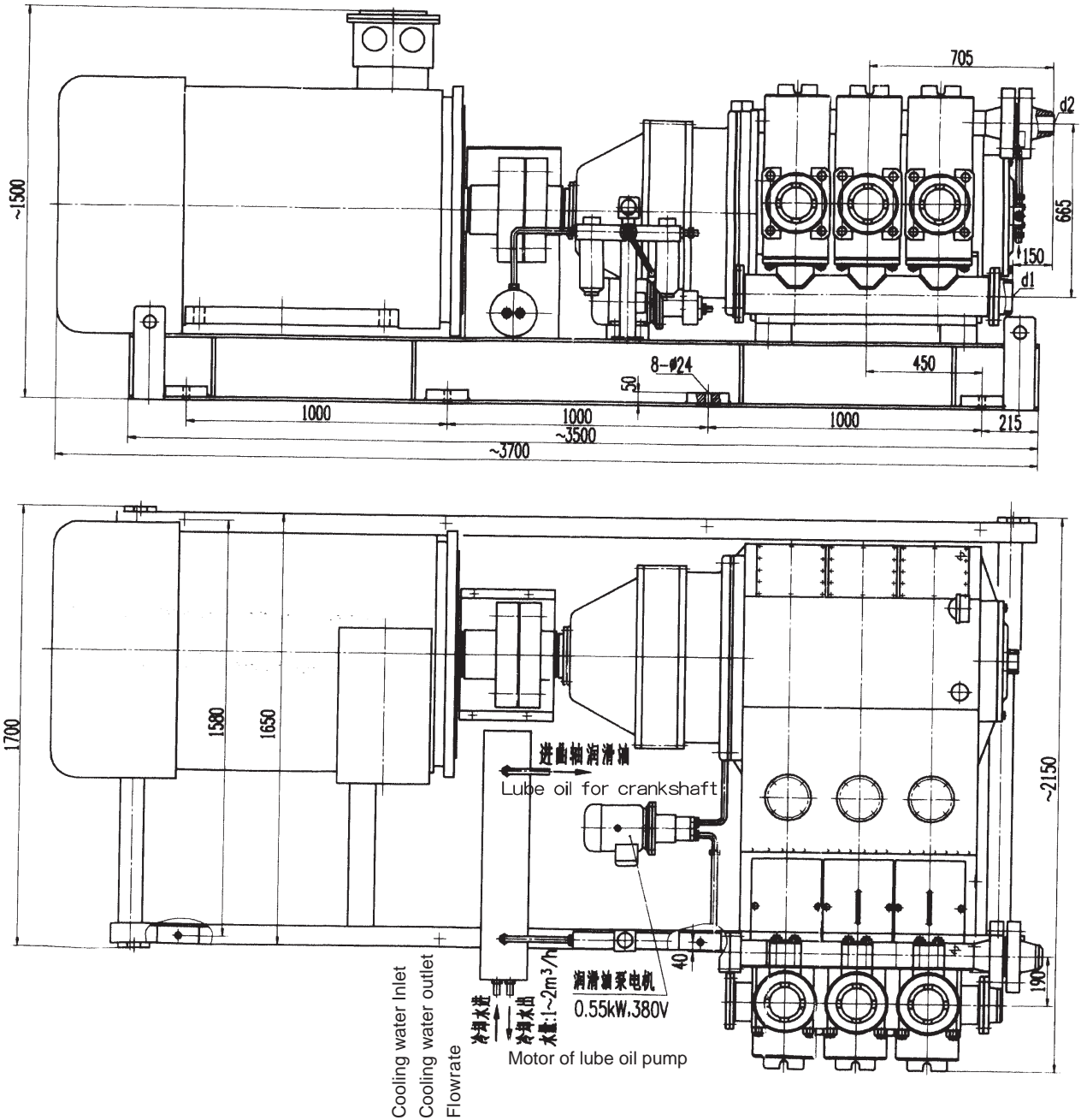
型号 Model	进口压力 Inlet Pressure MPa	排出压力 Discharge Pressure MPa	流量 Capacity m ³ /h	柱塞直径 Plunger Diameter mm	泵速 Speed min ⁻¹	电动机 Motor		进口直径 Inlet Diameter mm	出口直径 Outlet Diameter mm	重量 Weight kg
						型号 Type	功率 Power kW			
3D ₈ -20/63.0	0.2	50~63.0	20	70	198	Y450-4B3	450	80	50	8500
3D ₈ -20/50.0		40~50.0				Y450-4B3	355			
3D ₈ -25/63.0		50~63.0	25		248	Y500-4B3	560			
3D ₈ -26/48.0		40~48.0	26	80	198	Y450-4B3	450			
3D ₈ -26/38.0		32~38.0				Y450-4B3	355			
3D ₈ -33/48.0		40~48.0	248		Y500-4B3	560				
3D ₈ -33/38.0		32~38.0	33	90	198	Y450-4B3	450	100	65	8650
3D ₈ -33/30.0		25~30.0				Y450-4B3	355			
3D ₈ 41/38.0		32~38.0	41		100	248	Y500-4B3			
3D ₈ -41/30.0		25~30.0		Y450-4B3			450			
3D ₈ -41/24.0		20~24.0		Y450-4B3		355				
3D ₈ -52/30.0		25~30.0	52	248	Y500-4B3	560				
3D ₈ -50/25.0		20~25.0	50	110	198	Y450-4B3	450	150	80	8920
3D ₈ -50/20.0		16~20.0				Y450-4B3	355			
3D ₈ -63/25.0		20~25.0	63		248	Y500-4B3	560			
3D ₈ -63/20.0		16~20.0		Y450-4B3		450				
3D ₈ -63/16.0		12.5~16.0		125	Y450-4B3	355				
3D ₈ -80/20.0		16~20.0	80	125	248	Y500-4B3	560			
3D ₈ -80/17.0		12.5~17.0				135	198	Y450-4B3	450	
3D ₈ -80/13.5		10.0~13.5			Y450-4B3			355		
3D ₈ -100/17.0	12.5~17.0	100	150	248	Y500-4B3		560	200	100	9100
3D ₈ -100/14.5	10~14.5				198	Y450-4B3	450			
3D ₈ -100/11.0	8.0~11.0			Y450-4B3		355				

注Note: 1、柱塞行程 Plunger stroke length: S=165mm。

2、电动机 Motor: v=10kV、n=1488min⁻¹。

3、该型泵主要用于野外移动作业 This model is mainly used for field moving operation duty。

3D₈ 型电动往复泵外形及安装尺寸图
Outline & Installing Dimensions Drawing of Model 3D₈ Motor-Driven Reciprocating Pump





3D₉ 型电动往复泵性能参数

Performance Parameter of model 3D₉ Motor-Driven Reciprocating Pump

进口压力: 0.2~1Mpa

型号 Model	流量 Capacity m ³ /h	排出压力 Discharge Pressure MPa	柱塞直径 Plunger Diameter mm	泵速 Speed min ⁻¹	电机功率 Motor Power kW	进口外径×壁厚 (mm) Inlet O.D × WT	出口外径×壁厚 (mm) Outlet O.D × WT
3D9-19/68	19	68	70	139.40	500	φ 114.3 × 8	φ 88.9 × 22
3D9-24/68	24			176	630		
3D9-27/68	27			198	710		
3D9-26/52	26	52	80	139	500		
3D9-32/52	32			176	630		
3D9-36/52	36			198	710		
3D9-41/41	41	41	90	176	630	φ 168.3 × 8	φ 114.3 × 18
3D9-46/41	46			198	710		
3D9-52/41	52			220	800		
3D9-52/35	52	35	100	176	630		
3D9-60/35	60			198	710		
3D9-67/35	67			220	800		
3D9-64/28	64	28	110	176	630	φ 219.1 × 8	φ 114.3 × 12
3D9-72/28	72			198	710		
3D9-80/28	80			220	800		
3D9-69/23.5	69	23.5	120	157	560		
3D9-77/23.5	77			176	630		
3D9-85/23.5	85			198	710		
3D9-74/17	74	17	140	124	450		
3D9-83/17	83			139	500		
3D9-94/17	94			157	560		

注Note: 1、柱塞行程Plunger stroke length:S=230mm。

2、材料代号见表1，特殊功能型号见表2，若需选取其它未列参数请与设计处联系。

技术说明

1. 应用领域: 主要用于水压机系统、高压水除鳞系统、油田注水及浆料输送等。

2. 结构简介: 主要由往复泵、减速机、电机、联轴器、冷却润滑系统、公共底座等组成。标准配置是将减速机和电机组装在一个公共底座上, 冷却润滑系统组装在另一个小底座上。根据用户需要, 可选配安全阀、止回阀及循环阀, 可改变电机安放方位, 动力源也可为柴油机或同步电机 (此时可不配减速机)。

2.1 传动机座: 全对称、剖分式铸造机座, 拆装方便。锻造合金钢曲轴, 从十字头端进油润滑, 不必在曲轴上开油孔, 提高了强度。铸钢连杆, 抗冲击性好, 强度高。大头轴瓦内壁浇铸耐磨合金, 小头衬套为整体式轴承合金, 耐磨耐压。连杆轴瓦等采用强制供油润滑, 润滑油经粗精滤器处理, 保证了给油的油品的质量, 油温及油压可就地显示, 并带有远程监控的信号接口。

2.2 泵体部件: 全对称整体式锻钢泵体, 可左右任意配管。根据输送介质, 可选择碳钢或不锈钢材料。压紧式锥阀组结构, 使用寿命长, 拆装方便。三个填料箱部件通过压板与泵体相连, 柱塞可直接从泵体的泵腔孔中取出, 便于对填料等易损件的更换。填料箱体上还设有冷却水冲洗接口。

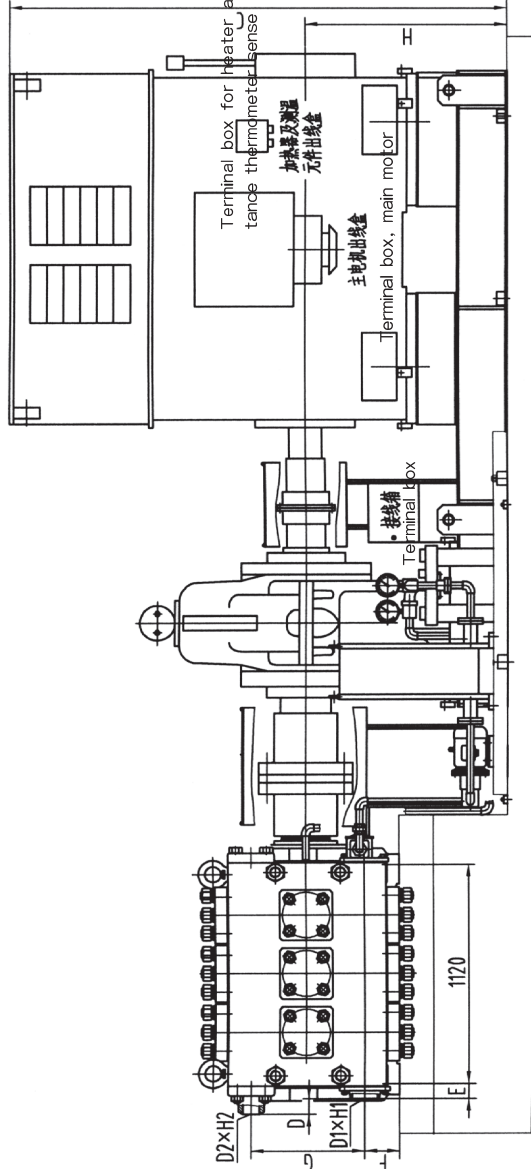
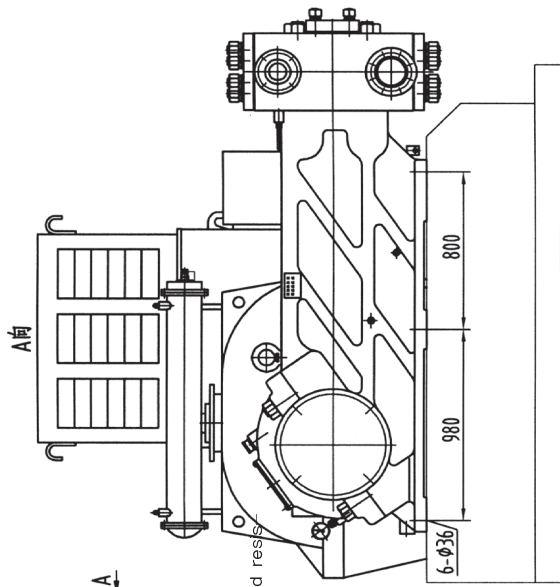
Technical explanation

1. Applications: hydropress system, high-pressure descaling system, oilfield water injection, and pulp transfer

2. Construction: consisting of reciprocating pump, speed reducer, motor, coupling, cooling & lubricating systems, common base, etc. It is standard installation type that the speed reducer and motor are mounted on a common base, and the cooling & lubricating systems on a separate base. Optional safety valve, check valve and/or circulation valve are available according to customers' requirements. The installation position of the motor may be changed according to field conditions. The power source may be either diesel engine or synchronous motor. (If the synchronous motor is used, there needs no the speed reducer.)

2.1 Power frame: wholly-symmetrical split cast frame for ease of disassembling and reassembling. Forged crankshaft of high strength alloy steel is lubricated by oil from the crosshead end. Cast connecting rod of steel has impact resistance and high strength. The big-end bearing liner is babbitted and the entire small bush is of babbitt metal with wear and pressure resistance. Forced feed lubrication is used for both ends of the connecting rod. The lubricating oil is filtered through rough and precise filters for high quality. The temperature and pressure of lubricating oil can be indicated locally and provided with signal connections for remote monitoring.

2.2 Liquid end: fully-symmetrical integral-type forged liquid end can be piped on the right or left side. Carbon steel or stainless steel is available for different fluids. The compression-type conical valve features long service life and ease of assembling and reassembling. Three (3) stuffing boxes are connected with the liquid end by means of clamp plates. The plunger can be directly taken out of the pumping chamber for easy replacement of wear-and-tear parts. The stuffing box is provided with connection for cooling water.

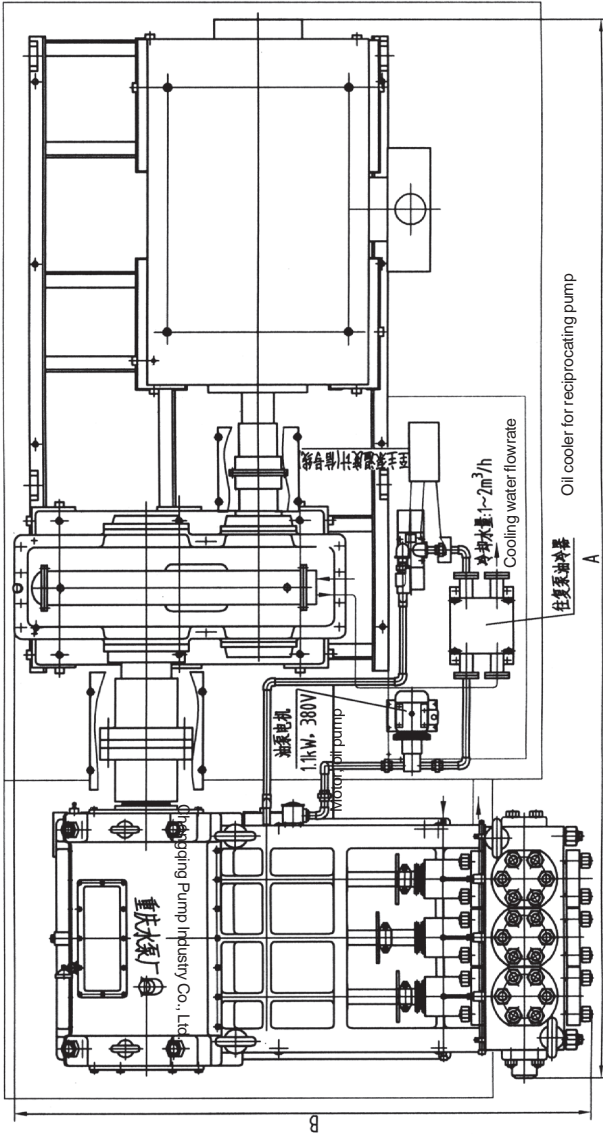


外形安装尺寸表 Outline & Installing Dimension

泵型号 Model	A	B	C	D	E	F	G	D1	D2	H1	D2	H2	H
3D9-52/32	4780	2860	1420	77	75	172	558	φ88	9	φ27	22	920	
3D9-60/35	5415	2900	2470	77	75	172	558	φ88	9	φ27	22	1000	

成套范围 Supply Scope of Complete Set of Equipment

名称 Name	往复泵 Reciprocating Pump	电动机 Speed motor	油站 Oil station	公共罐 Common tank	联轴器 Coupling	专用工具 Special tool	润滑油 Accuminate parts	技术资料 Technical document	止回阀 Check valve	安全阀 Safety valve	减压器 Reducer	油冷却器 Oil cooler for speed reducer
数量 Qty.	1台 1 Set	1台 1 Set	1套 1 Set	1件 1 Pc	1套 1 Set	1套 1 Set	1套 1 Set	1套 1 Set	1件 1 Pc	1件 1 Pc	1件 1 Pc	1件 1 Pc
备注 Remark												按合同配 To be supplied according to a contract



3D9 型电动往复泵外形尺寸图

Outline & Installing Dimension Drawing of 3D9 Motor-Driven Reciprocating Pump